



MP Antenna, LTD.  
147 Eady Court  
Elyria, Ohio 44035

440.387.5968 phone  
440.545.3500 fax  
www.mpantenna.com  
sales@mpantenna.com

**Part Number: 08-ANT-0912**

model number: 08-ANT-0912  
product description: 698-999MHz Two Way Radio Mobile Antenna

**Electrical Data**

frequency range:	698-999MHz
gain:	5.2dBi
vswr:	<1.7:1
horizontal pattern type:	Omni-Directional
vertical patter type:	Hemispheric
ground plane:	Built In
min ground plane :	N/A

**Environmental Data**

environmental cond.:	Outdoor
operation temperature:	-40 to 85 deg C
storage temperature:	-40 to 85 deg C
transport temperature:	-40 to 85 deg C
IP Rating:	IP66
RoHS - REACH	Compliant

**General Data**

color:	Black or White
antenna feeds:	One
coax length:	N/A
coax type:	N/A
connector type:	N-Female
polarization:	Multi-Polarized
power:	50 Watts Input
impedance:	50 ohms Nominal
construction:	UV Stabilized ASA

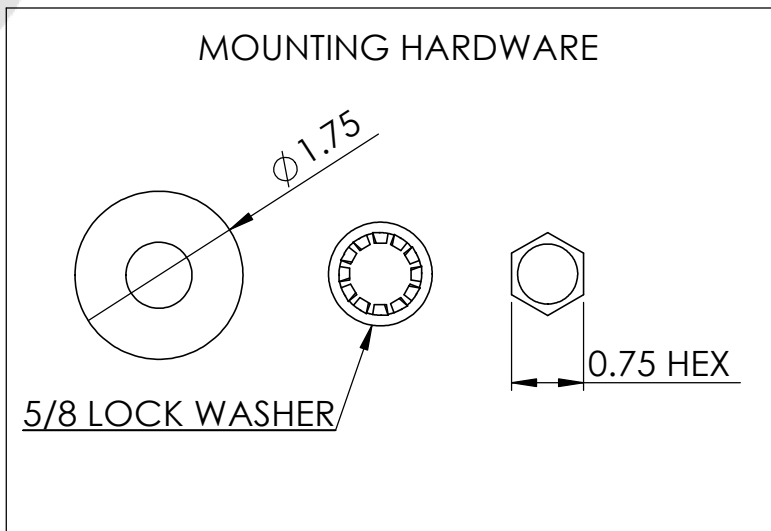
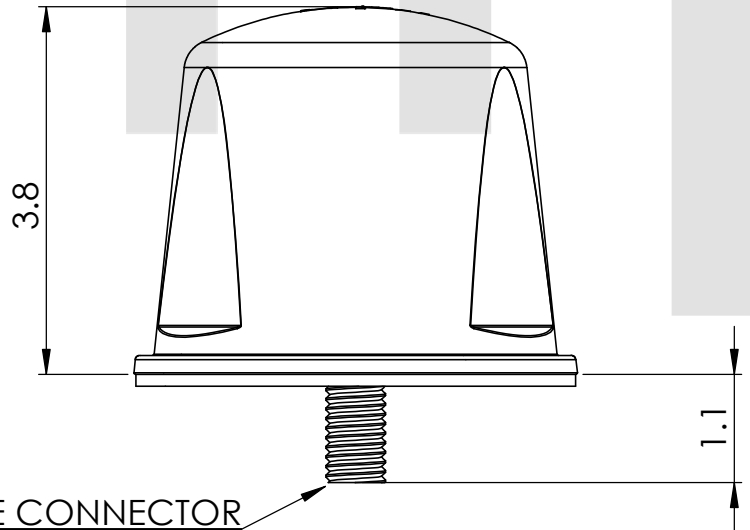
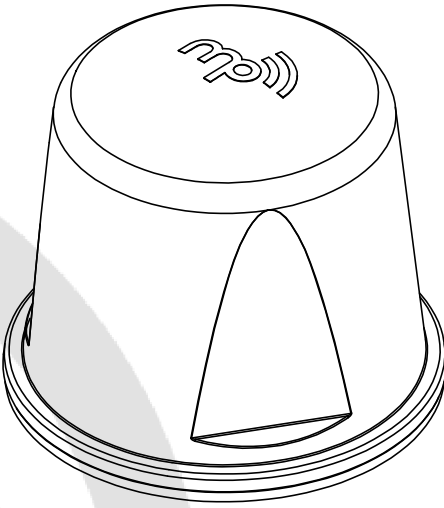
**Mechanical Data**

length:	4.5 in
width:	4.5 in
height:	4 in
mounting type:	Surface
hardware included:	Nut and Washer
weight:	8 oz

**\* With built in spatial and polarization diversity, performance in obstructed environments is greater than that of standard antennas with similar or higher laboratory gains.**



FREQUENCY RANGE	MOUNTING HOLE DIAMETER	MAX MOUNTING SURFACE THICKNESS	COLOR
698-999 MHz	0.65 INCHES MIN 1.0 INCHES MAX	0.125 INCHES	BLACK



MP ANTENNA, LTD.  
147 Eady Court  
Elyria, OH 44035  
www.mpantenna.com

THIRD ANGLE	DIMENSIONS ARE IN INCHES	
	NAME	DATE
DRAWN	BM	12/30/14

**PROPRIETARY AND CONFIDENTIAL**  
THE INFORMATION CONTAINED IN THIS DRAWING IS THE SOLE PROPERTY OF MP ANTENNA, LTD. ANY REPRODUCTION IN PART OR AS A WHOLE WITHOUT THE WRITTEN PERMISSION OF MP ANTENNA LTD IS PROHIBITED.

DESCRIPTION:  
SENCOMM OMNI

PART NO.  
08-ANT-0912



MP Antenna, LTD.  
147 Eady Court  
Elyria, Ohio 44035

440.387.5968 phone  
440.545.3500 fax  
www.mpantenna.com  
sales@mpantenna.com

**Part Number: 08-ANT-0912**

model number: 08-ANT-0912  
product description: 698-999MHz Two Way Radio Mobile Antenna

Frequency: 700MHz  
Max Gain: 5.2dBi

