

# ANT220Y7-WR

## YAGI ANTENNA 5 dBd

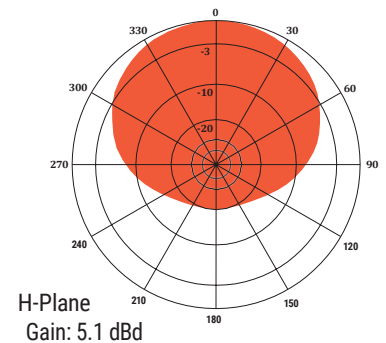
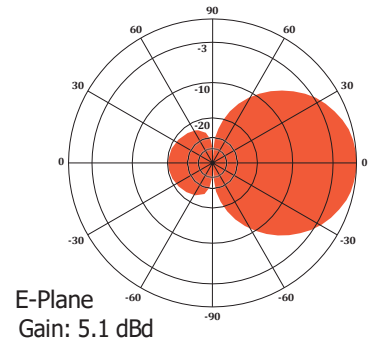
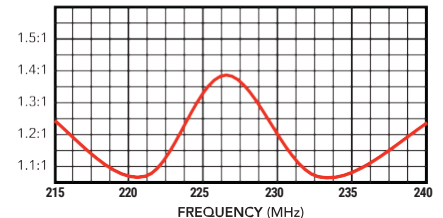


The Telewave.io ANT220Y7-WR is a high performance directional antenna, designed especially for point to point as well as point/multipoint applications. This antenna produces 5 dBd forward gain with an excellent front-to-back ratio, and solid aluminum elements with 360° welds prevent intermodulation and provide exceptional strength. The ANT220Y7-WR is an excellent choice for wireless PTC systems in urban or rural areas.

Each antenna is completely protected with our high-tech Txylan™ coating, which

provides icing resistance and protection from corrosive gases, UV radiation, salt spray, acid rain and wind-blown sand. The feed line is protected within the boom, and the radiating element is completely sealed against ice and other hazards with a tough, RF-transparent radome.

The ANT220Y7-WR includes a welded vertical plate and mast clamp set. A horizontal welded plate is optional, or the ANTM400H adapter can be used. The clamp set fits any vertical mast or tower support from 1.5"-3.5" O.D.

**ANT220Y7-WR at 221MHz**

**TYPICAL VSWR RESPONSE**


### SPECIFICATION

|                                  |                            |   |                      |
|----------------------------------|----------------------------|---|----------------------|
| <b>Frequency (continuous)</b>    | 216-240 MHz                | <b>Elements</b>                         | 3                    |
| <b>Gain (typ)</b>                | 5 dBd                      | <b>Dimensions (L x H)</b>               | 30 x 30 in.          |
| <b>Power Rating (typ)</b>        | 500 watts                  | <b>Antenna weight</b>                   | 13 lb.               |
| <b>Impedance / VSWR</b>          | 50 ohms / 1.5:1 (max)      | <b>Shipping weight</b>                  | 16 lb.               |
| <b>Front to back ratio (min)</b> | 15 dB                      | <b>Wind rating / with 0.5" ice</b>      | 150 / 125 MPH        |
| <b>Beamwidth V / H</b>           | 64° / 114°                 | <b>Exposed area (flat plate equiv.)</b> | 0.7 ft. <sup>2</sup> |
| <b>Pattern / Polarization</b>    | Directional / Vertical     | <b>Lateral thrust at 100 MPH</b>        | 28 lb.               |
| <b>Termination</b>               | N Female or 7-16 DIN (opt) | <b>(40 psf - flat plate equiv.)</b>     |                      |