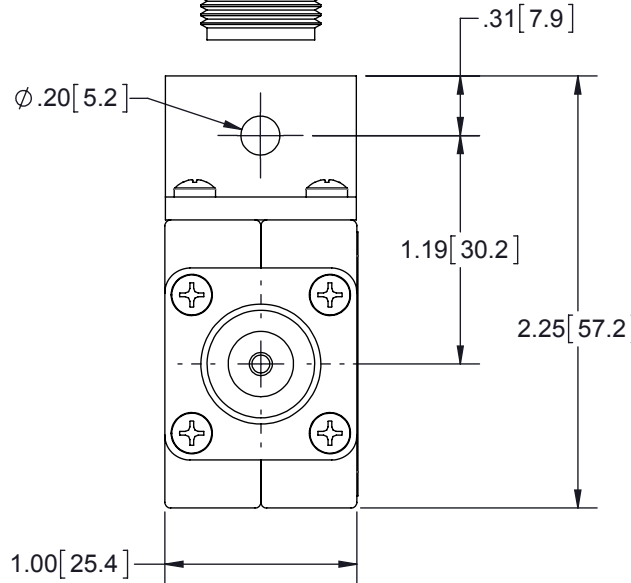
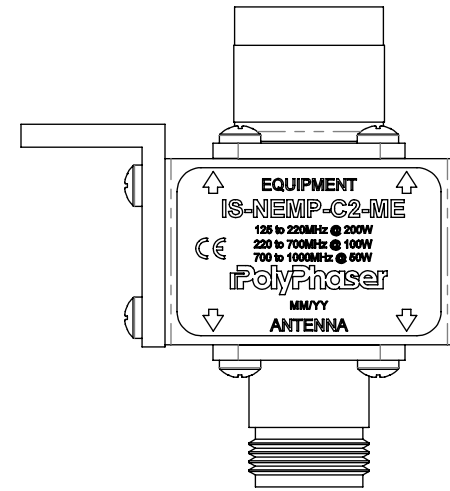
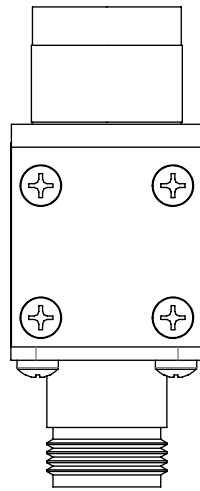
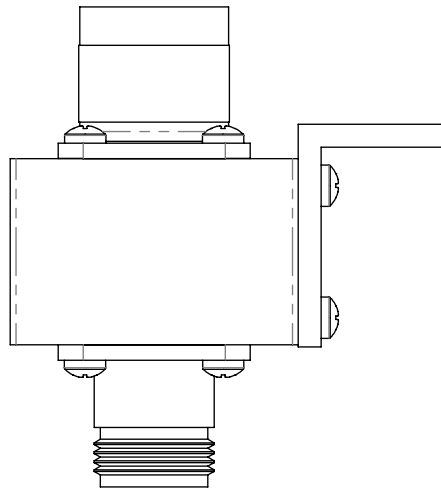


REVISIONS				
REV.	DESCRIPTION	ECN	DATE	APPROVED
C	REFER TO ECN	11358		



CUSTOMER APPROVAL: \_\_\_\_\_ DATE: \_\_\_\_\_

ALL DIMENSIONS SHOWN ARE FOR REFERENCE ONLY.

### MAXIMUM CHARACTERISTICS

**APPLICATION:**  
BULKHEAD MOUNT

**FREQUENCY RANGE:**  
125MHz TO 1000MHz

**VSWR:**  
≤1.1:1 OVER FREQUENCY RANGE

**INSERTION LOSS:**  
≤0.1dB OVER FREQUENCY RANGE

**MAX POWER:**  
VHF 200W, UHF (LOW) 100W  
800MHz TO 1GHz 50W

**THROUGHPUT ENERGY:**  
≤250mJ TYPICAL

**OPERATING TEMPERATURE:**  
+50 °C

**STORAGE TEMPERATURE:**  
-45 °C TO +85 °C

**RELATIVE HUMIDITY:**  
90% AT 40 °C

**VIBRATION:**  
1G AT 5Hz TO 100Hz

**CE COMPLIANT**

<small>UNLESS OTHERWISE SPECIFIED LEADING DIMENSIONS ARE INCHES DIMENSIONS IN [ ] ARE MILLIMETERS</small> <b>TOLERANCES:</b> FRACTIONS=± 1/32 .XX=± .03 ANGLES=± 1° .XXX=± .010	DRAWN <b>J. CALLISTER</b> ENG APPD <b>K. BARTEL</b> PRODUCT MGR	DATE 4/22/98 4/23/98		SHEET 1 OF 1 SCALE 1:1		
	NOTICE: THE INFORMATION AND DESIGN IN THIS DOCUMENT IS THE PROPERTY OF POLYPHASER CORPORATION. ALL RIGHTS RESERVED. THIRD-ANGLE PROJECTION 	MARKETING APPD <b>R. MATHEUS</b> PROJECT NO.		4/28/98	TITLE <b>CUSTOMER PRINT IS-NEMP-C2-ME</b> CUSTOMER SPECIFICATION	
DOCUMENT NAME <b>IS-NEMP-C2-ME-C</b>		SIZE <b>A</b>	CAGE <b>61114</b>	PROD CAT <b>RFP</b>	PART NUMBER <b>IS-NEMP-C2-ME</b>	REV <b>C</b>

THESE COMMODITIES, TECHNOLOGY OR SOFTWARE WERE EXPORTED FROM THE UNITED STATES IN ACCORDANCE WITH THE EXPORT ADMINISTRATION REGULATIONS. DIVERSION CONTRARY TO U.S. LAW PROHIBITED.