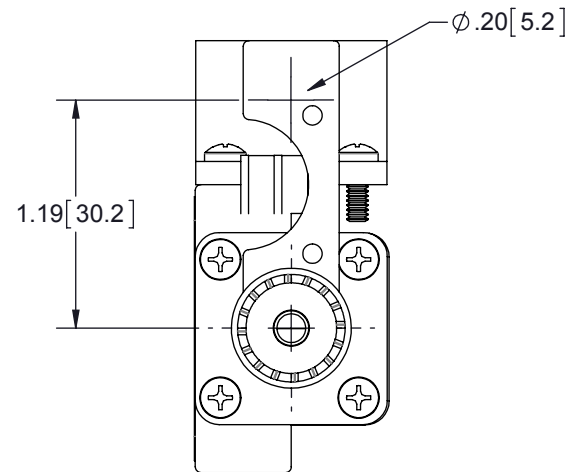
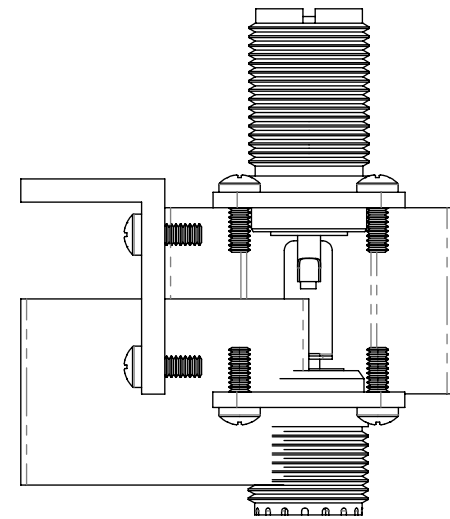
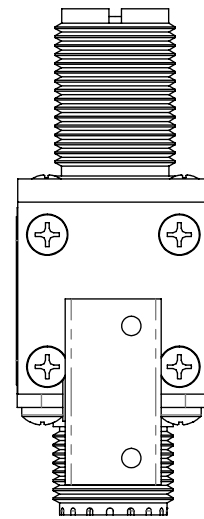
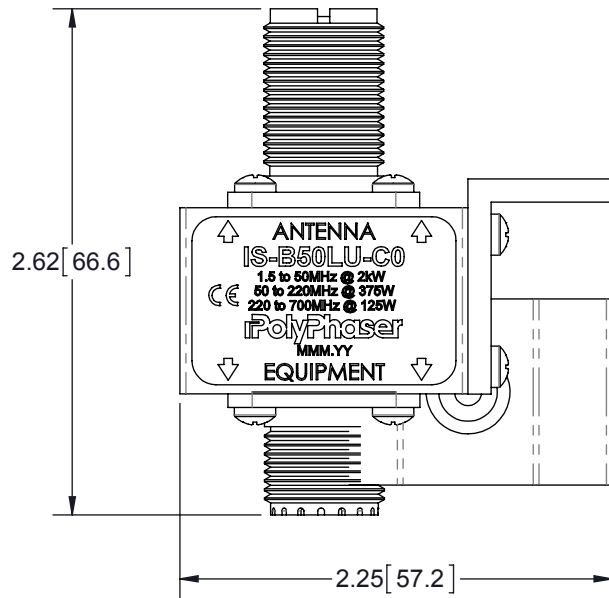


REVISIONS				
REV.	DESCRIPTION	ECN	DATE	APPROVED
G	REFER TO ECN	11339		



MAXIMUM CHARACTERISTICS	
APPLICATION:	BULKHEAD MOUNT
FREQUENCY RANGE:	1.5MHz TO 700MHz
SURGE:	50kA IEC 61000-4-5 8/20 μ s WAVEFORM 500J
TURN-ON:	$\pm 600V_{dc} \pm 20\%$
VSWR:	$\leq 1.2:1$ @ 1.5MHz TO 700MHz
INSERTION LOSS:	$\leq 0.1dB$ OVER FREQUENCY RANGE
MAX POWER:	HF 2kW, VHF 375W, UHF 125W
THROUGHPUT ENERGY:	$\leq 10mJ$
TEMPERATURE:	-45°C TO +85°C STORAGE/OPERATING
VIBRATION:	1G @ 5Hz TO 100Hz
CE COMPLIANT	

CUSTOMER APPROVAL: _____ DATE: _____

ALL DIMENSIONS SHOWN ARE FOR REFERENCE ONLY.

<small>UNLESS OTHERWISE SPECIFIED LEADING DIMENSIONS ARE INCHES DIMENSIONS IN [] ARE MILLIMETERS</small> TOLERANCES: FRACTIONS = $\pm 1/32$.XX = $\pm .03$ ANGLES = $\pm 1^\circ$.XXX = $\pm .010$ <small>NOTICE: THE INFORMATION AND DESIGN IN THIS DOCUMENT IS THE PROPERTY OF POLYPHASER CORPORATION. ALL RIGHTS RESERVED.</small>	DRAWN S. HALL DATE 10/5/98		SHEET 1 OF 1		
	ENG APPD J. VITELLO PRODUCT MGR L. CHANG MARKETING APPD R. MATHEUS PROJECT NO.		DATE 11/5/98 DATE 11/5/98 DATE 11/6/98	SCALE 1:1	
	DOCUMENT NAME IS-B50LU-C0-C		SIZE A	CAGE 61114	PROD CAT RFP
	TITLE CUSTOMER PRINT IS-B50LU-C0 CUSTOMER SPECIFICATION		PART NUMBER IS-B50LU-C0	REV G	

THESE COMMODITIES, TECHNOLOGY OR SOFTWARE WERE EXPORTED FROM THE UNITED STATES IN ACCORDANCE WITH THE EXPORT ADMINISTRATION REGULATIONS. DIVERSION CONTRARY TO U.S. LAW PROHIBITED.