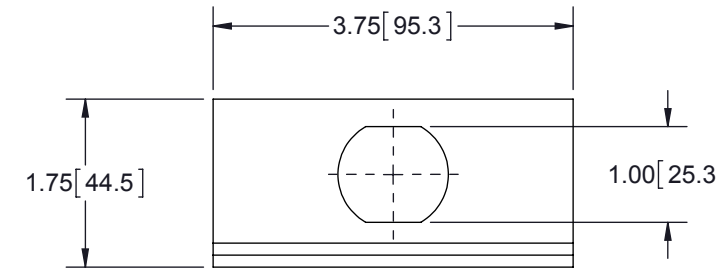
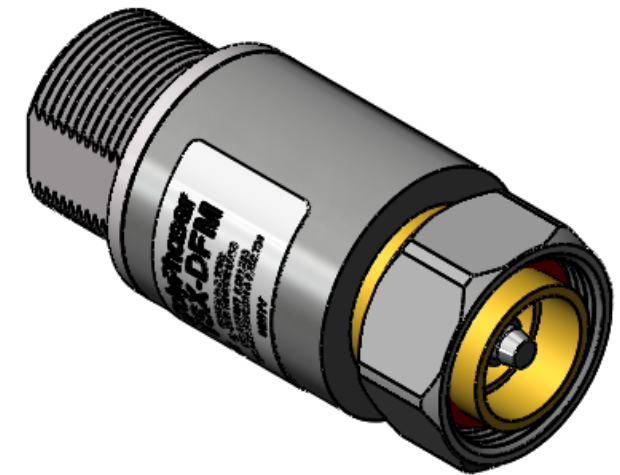
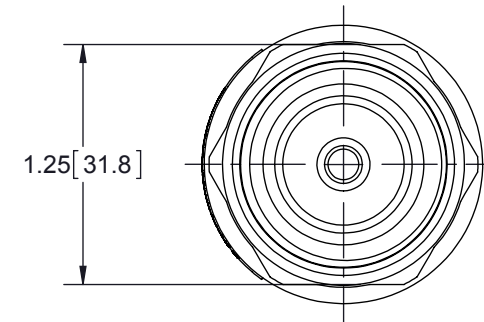
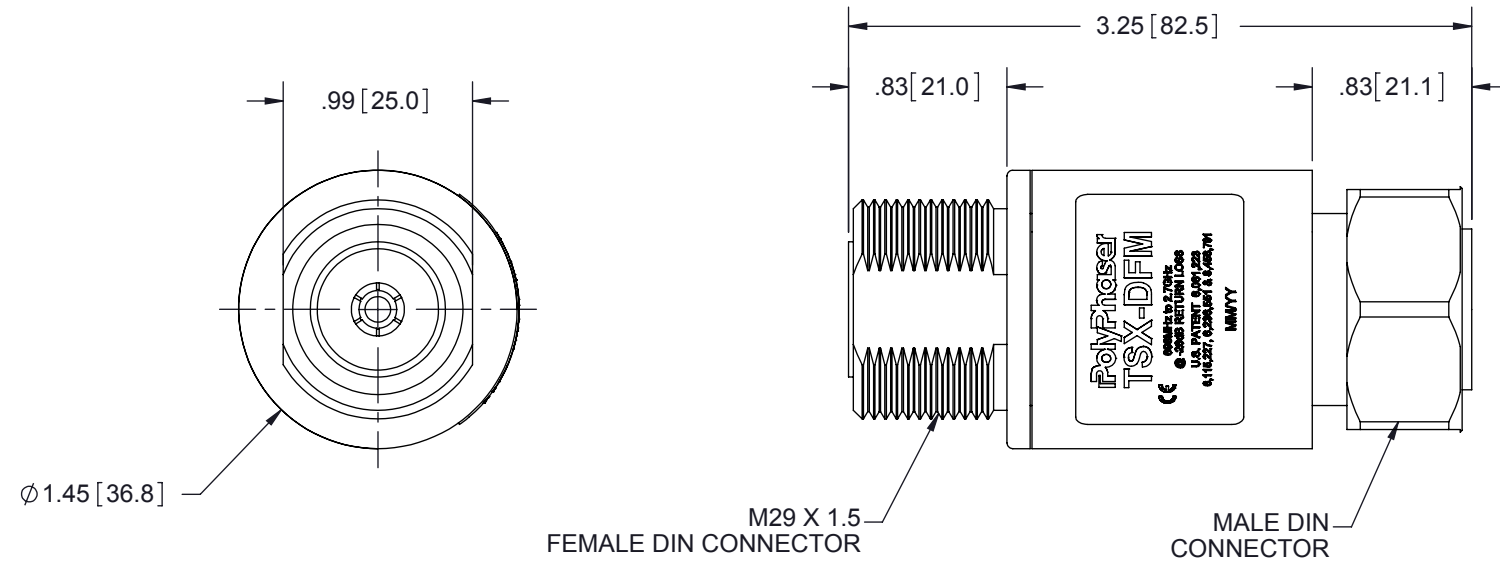
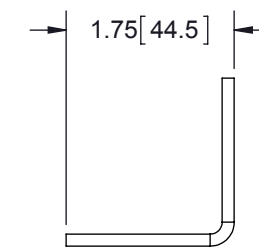


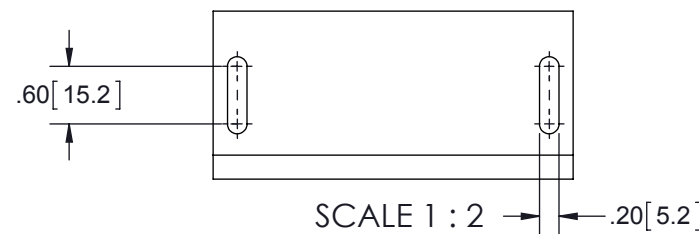
REVISIONS				
REV.	DESCRIPTION	ECN	DATE	APPROVED
E	REFER TO ECN	12848	9/8/2014	JJ



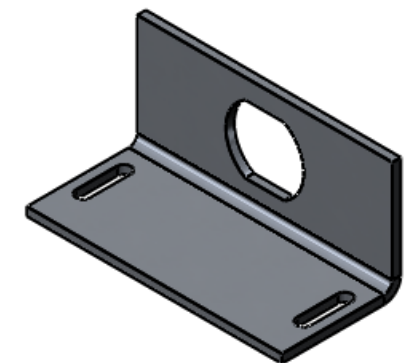
SCALE 1 : 2



SCALE 1 : 2



SCALE 1 : 2



MAXIMUM CHARACTERISTICS

APPLICATION:
DC BLOCK/RF ONLY
WEATHERPROOF WHEN INSTALLED

FREQUENCY RANGE:
698MHz TO 2.7GHz @ -26dB RETURN LOSS

MAX SURGE:
IEC 61000-4-5 8/20µs WAVEFORM
40kA MAX
20kA MULTIPLE

INSERTION LOSS:
≤0.1dB

CONTINUOUS POWER:
500W @ 920MHz
(750W @ 50°C)

MAX PEAK INSTANTANEOUS POWER (PIP):
27kW

LET THROUGH VOLTAGE:
≤±200mV FOR 3kA @ 8/20µs WAVEFORM

THROUGHPUT ENERGY:
≤5nJ FOR 3kA @ 8/20µs WAVEFORM

PIM 3rd ORDER:
<-155dBc (-112dBm); 2 X 20W INPUT

TEMPERATURE:
-50°C TO +85°C STORAGE/OPERATING

VIBRATION:
1G @ 5Hz TO 100Hz

MATERIAL:
BODY: TRI-M3™ PLATING OVER BRASS
PTFE: DIELECTRIC
CENTER PINS: Ag PLATED

ENVIRONMENTAL:
MEETS IEC 60529 IP67 WHEN CONNECTED
MEETS BELLCORE #TA-NWT-000487
PROCEDURE 4.11, WIND DRIVEN (120MPH)
RAIN INTRUSION TEST

CE COMPLIANT
RoHS COMPLIANT

HARDWARE KIT	
QTY.	DESCRIPTION
1	NUT M29 X 1.5 SST DIN
1	WASHER 1.15ID FLAT SST TYPE 304
1	O-RING 025 SILICONE
2	WASHER 10 EXT TOOTH SS STAINLESS STEEL
2	NUT 10-32 HEX 18-8 SS
2	10-32 x 3/4" RD HD SLOTTED SCREW SS
1	POLYBAG 3x5 2MIL
1	

CUSTOMER APPROVAL: _____ DATE: _____

ALL DIMENSIONS SHOWN ARE FOR REFERENCE ONLY.

THESE COMMODITIES, TECHNOLOGY OR SOFTWARE WERE EXPORTED FROM THE UNITED STATES IN ACCORDANCE WITH THE EXPORT ADMINISTRATION REGULATIONS. DIVERSION CONTRARY TO U.S. LAW PROHIBITED.

UNLESS OTHERWISE SPECIFIED LEADING DIMENSIONS ARE INCHES DIMENSIONS IN [] ARE MILLIMETERS	DRAWN	HMB	DATE	4/27/10
	ENG APPD	CAP	DATE	4/29/10
TOLERANCES: FRACTIONS=± 1/32 .XX=± .01 ANGLES=± 1° .XXX=± .005	PRODUCT MGR	CAP	DATE	4/29/10
	MARKETING APPD	LJ	DATE	5/6/10
MATERIAL NA	PROJECT NO.	DD55663		
THIRD-ANGLE PROJECTION	NOTICE: THE INFORMATION AND DESIGN IN THIS DOCUMENT IS THE PROPERTY OF TRANSECTOR SYSTEMS. ALL RIGHTS RESERVED.			
		PolyPhaser		
		TITLE DC BLOCK 698MHZ-2.7GHZ DIN FEMALE SURGE FILTER W/MOUNT BRKT CUSTOMER SPECIFICATION		
SIZE	CAGE	PART NUMBER	REV	
B	30992	TSX-DFM-BF	E	
SCALE	PROD CAT	DOCUMENT NAME	SHEET	OF
1:1	RFP	TSX-DFM-BF-C	1	1