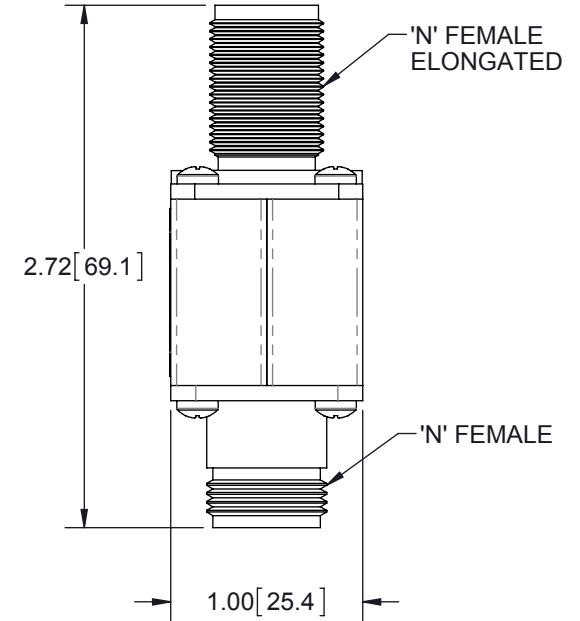
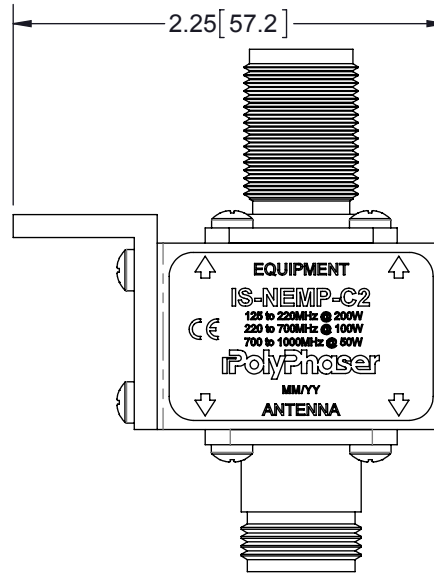


REVISIONS				
REV.	DESCRIPTION	ECN	DATE	APPROVED
F	REFER TO ECN	12061	9/26/13	KCB

HARDWARE KIT INCLUDES:

QTY	DESCRIPTION
1	WASHER EMI WEATHER
1	WASHER 5/8 410 SS
1	NUT 5/8-24 303 HEX SS
2	WASHER 10 INT 4-10 SS
1	NUT 10-32 HEX 18-8 SS
1	SCREW 10-32x.75 HEX MS 18-8 SS



MAXIMUM CHARACTERISTICS

APPLICATION:

BULKHEAD MOUNT

SURGE:

50kA IEC 61000-4-5 8/20μs WAVEFORM 500 JOULES (TESTED)
20kA (RATED)

FREQUENCY RANGE:

125MHz TO 1,000MHz

TURN-ON:

330Vdc ±20%

TURN-ON TIME:

1.5ns FOR 2kV/ns

VSWR:

≤1.1:1 @ 125 TO 1000MHz

INSERTION LOSS:

≤ 0.1dB OVER FREQUENCY RANGE

MAX POWER:

200W @ 125MHz TO 220MHz

100W @ 220MHz TO 700MHz

50W @ 700MHz TO 1000MHz

THROUGHPUT ENERGY:

≤250μJ TYPICAL

TEMPERATURE:

STORAGE: -55°C TO +85°C

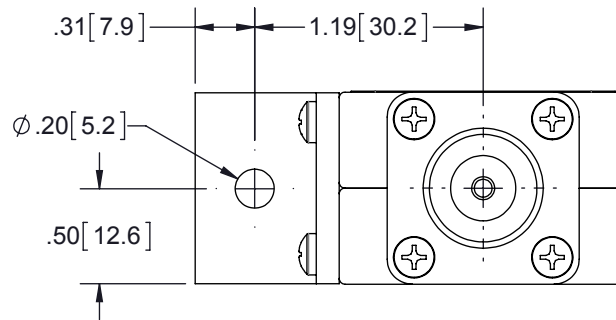
OPERATING: -50°C TO +50°C

VIBRATION:

1G AT 5Hz TO 100Hz

CE COMPLIANT

RoHS COMPLIANT



CUSTOMER APPROVAL: _____ DATE: _____

ALL DIMENSIONS SHOWN ARE FOR REFERENCE ONLY.

<small>UNLESS OTHERWISE SPECIFIED LEADING DIMENSIONS ARE INCHES DIMENSIONS IN [] ARE MILLIMETERS</small> <small>TOLERANCES: FRACTIONS=± 1/32 .XX=± .03 ANGLES=± 1° .XXX=± .010</small> <small>NOTICE: THE INFORMATION AND DESIGN IN THIS DOCUMENT IS THE PROPERTY OF POLYPHASER CORPORATION. ALL RIGHTS RESERVED.</small>	<small>DRAWN</small> S. HALL 7/29/99	<small>DATE</small> 7/29/99		<small>SHEET</small> 1 OF 1		
	<small>ENG APPD</small> K. BARTEL 3/21/00	<small>DATE</small> 3/21/00		<small>SCALE</small> 1:1		
	<small>PRODUCT MGR</small> R. JUCHEM 3/21/00	<small>MARKETING APPD</small> J. BERNARD 3/20/00	<small>PROJECT NO.</small> 	<small>TITLE</small> NUKE EMP 125MHz-1000MHz T.O. 330Vdc N FEM <small>CUSTOMER SPECIFICATION</small>		
	<small>DOCUMENT NAME</small> IS-NEMP-C2-C		<small>SIZE</small> A	<small>CAGE</small> 61114	<small>PROD CAT</small> RFP	<small>PART NUMBER</small> IS-NEMP-C2

THESE COMMODITIES, TECHNOLOGY OR SOFTWARE WERE EXPORTED FROM THE UNITED STATES IN ACCORDANCE WITH THE EXPORT ADMINISTRATION REGULATIONS. DIVERSION CONTRARY TO U.S. LAW PROHIBITED.