

4

3

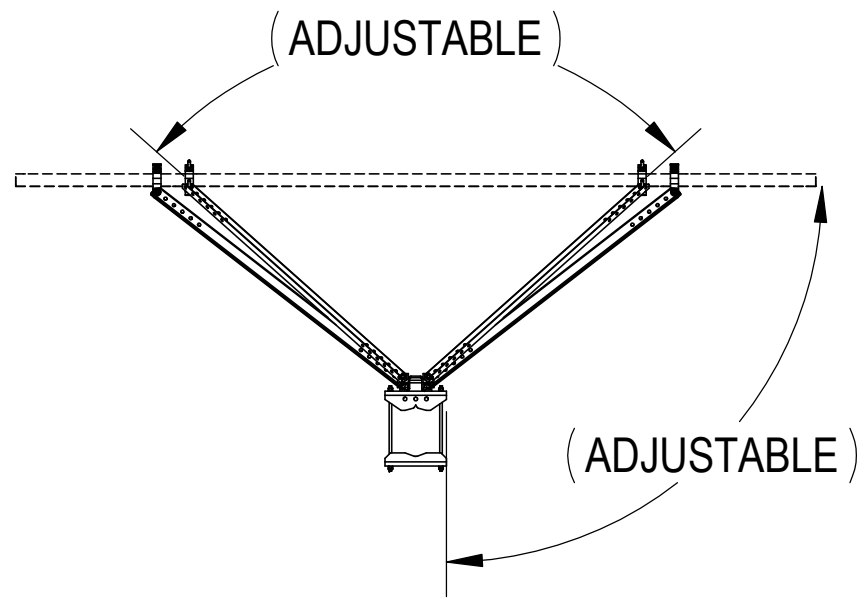
2

1

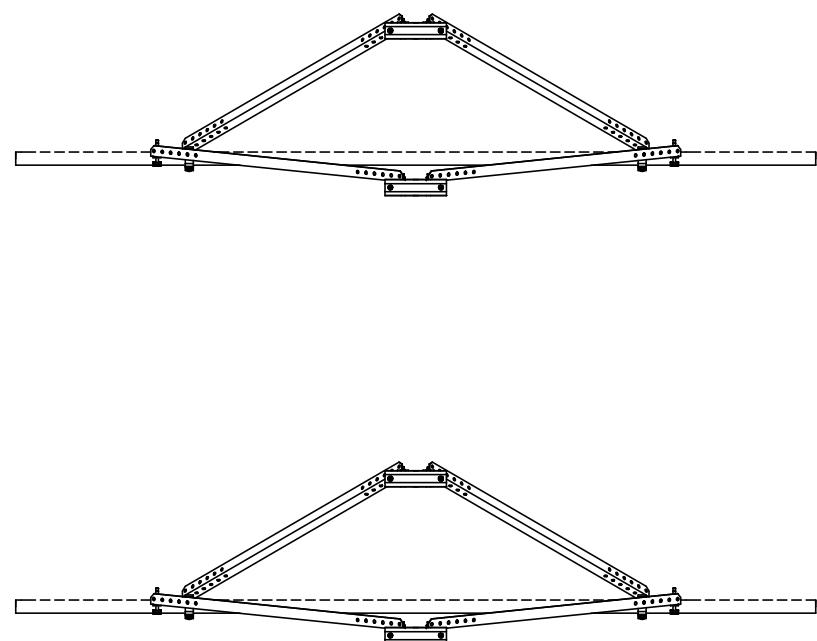
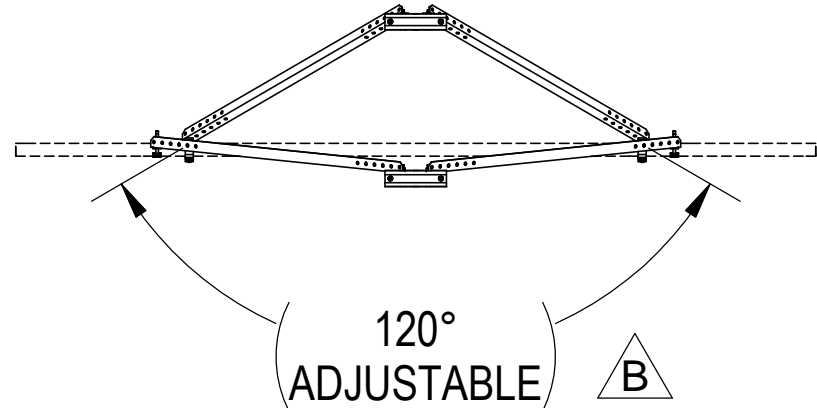
NOTES:

- 1.0 ALL METRIC DIMENSIONS ARE IN BRACKETS.
- 2.0 FITS TOWER LEGS FROM 2" TO 8" OD.
- 3.0 ALL DIMENSIONS SHOWN ARE FOR REFERENCE ONLY. ALL CONNECTIONS ARE ADJUSTABLE. FINAL INSTALLED APPLICATION DICTATES FINISHED DIMENSIONS.

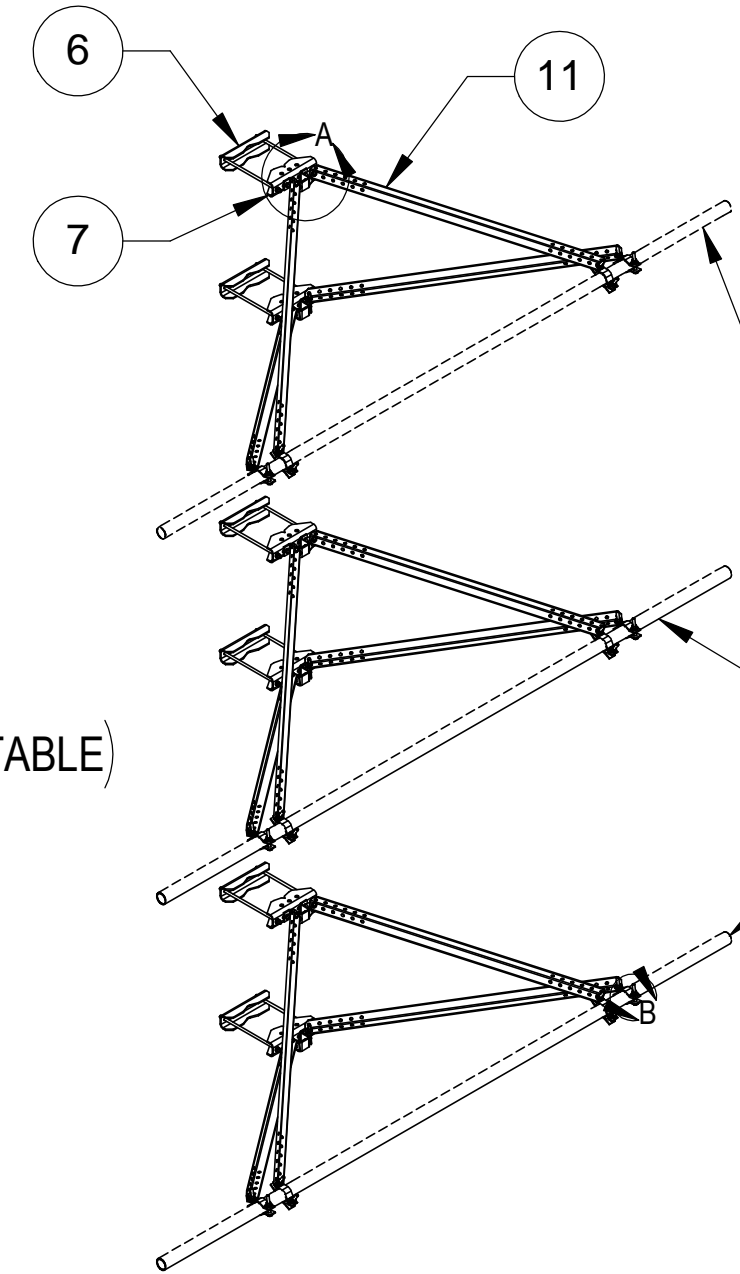
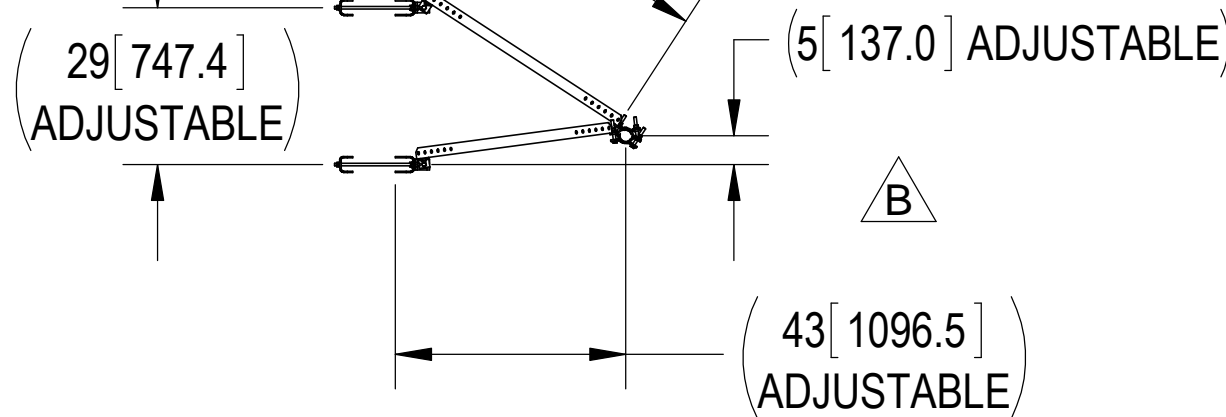
REVISIONS				
REV.	ECN	DESCRIPTION	BY	DATE
A	8000028789	INITIAL RELEASE	RDLs	3/7/18
B	8000029765	ADDED DIMENSIONS TO VIEWS	RJC	05/10/2018



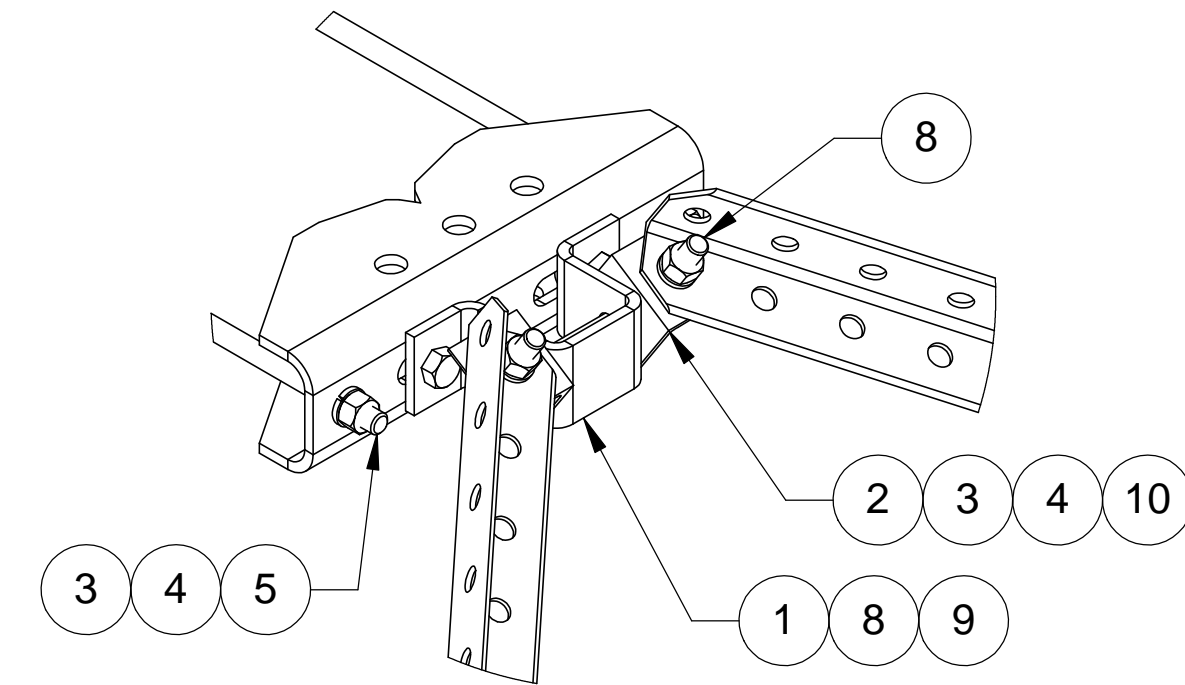
UP TO +30° AZIMUTH ADJUSTMENT OFF APEX



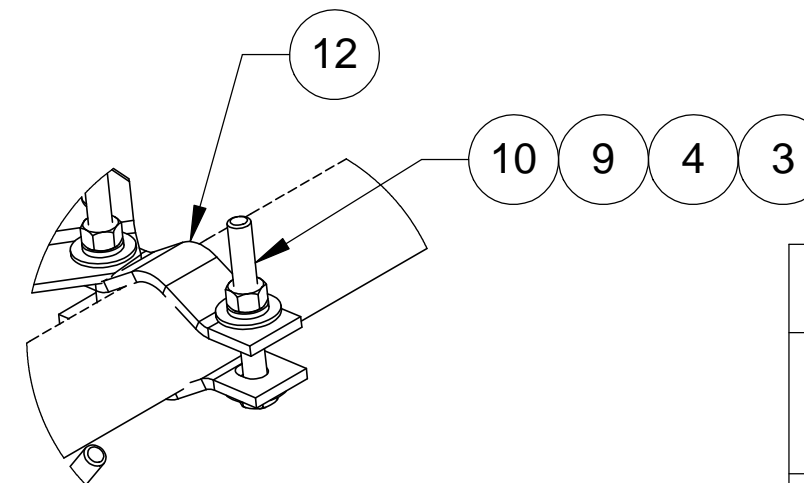
PART IS 80" LONG



1.9"-3.5" OD PIPES NOT INCLUDED



DETAIL A SCALE 1:4



DETAIL B SCALE 1:4

ITEM	PART NO.	DESCRIPTION	QTY.	WEIGHT	NOTE NO.
1	MTC393216	BRACKET, PIVOT ATTACHMENT	6	1.41 LBS	
2	MTC393211	BRACKET, PIVOT	12	0.37 LBS	
3	GN-04	1/2" GALV HEX NUT	72	0.04 LBS	
4	GWL-04	1/2" GALV LOCK WASHER	60	0.01 LBS	
5	MT37916	1/2" X 16" GALV THREADED ROD	12	0.89 LBS	
6	MTC397531	BACK BRACKET, SM-U2080LD	6	5.16 LBS	
7	MTC397532	FRONT BRACKET, SM-U2080LD	6	5.97 LBS	
8	GB-04145	1/2" X 1-1/2" GALV BOLT KIT	24	0.13 LBS	
9	GWF-04	1/2" GALV FLAT WASHER	60	0.03 LBS	
10	1204FTB	1/2" x 4" FULL THREAD GALV. BOLT	30	0.26 LBS	
11	MTC393214	ANGLE, 2 X 2 X 1/8 X 60, VSRA	12	7.99 LBS	
12	ACP10	1.5" - 3.5" O.D. CLAMP HALF	24	0.61 LBS	

COMMSCOPE, INC. OF NORTH CAROLINA

TOLERANCES: 0 PLACE X ± .25, 1 PLACE X ± .12, 2 PLACE .XX ± .06, ANGLES ± 2°

SAP MATERIAL MASTER: VSRDUALA-TS-B3

FINISH: GALV A123, MATERIAL: A529, A1011/A1018

NAME: RDLs	DATE: 3/7/18	TITLE: V-STABILIZER, ADJUSTABLE, DUAL 3-SECTOR
SCALE: 1:36	DOCUMENT NO.: VSRDUALA-TS-B3	
SIZE: C	WORK AREA: [Symbol]	MODEL: [Symbol]
VERSION: [Symbol]	STATUS: [Symbol]	REVISION: [Symbol]

UNLESS OTHERWISE SPECIFIED DIMENSIONS ARE IN MILLIMETERS INTERPRET PER ISO STANDARDS HANDBOOK TECHNICAL DRAWINGS VOLUMES 1 & 2, THIRD EDITION (2002)

DENSITY: 0.28 lbs/in³, MASS: 398.96 lbs, VOLUME: 1413.99 in³, SURFACE AREA: [Symbol]

HEIGHT: [Symbol], LENGTH: [Symbol], WIDTH: [Symbol]

REVISION B

SHEET 1 OF 1