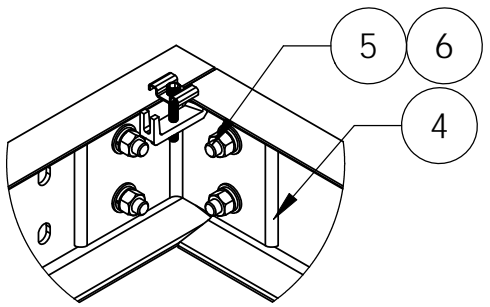
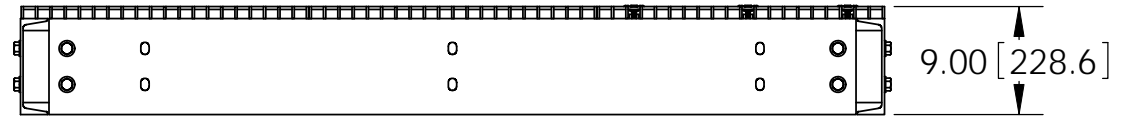
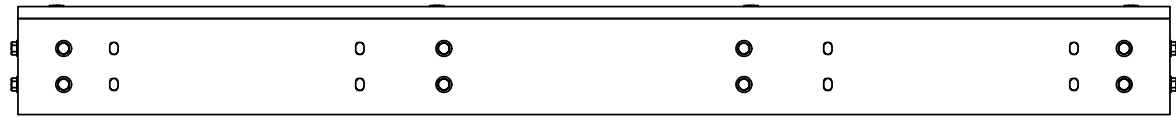
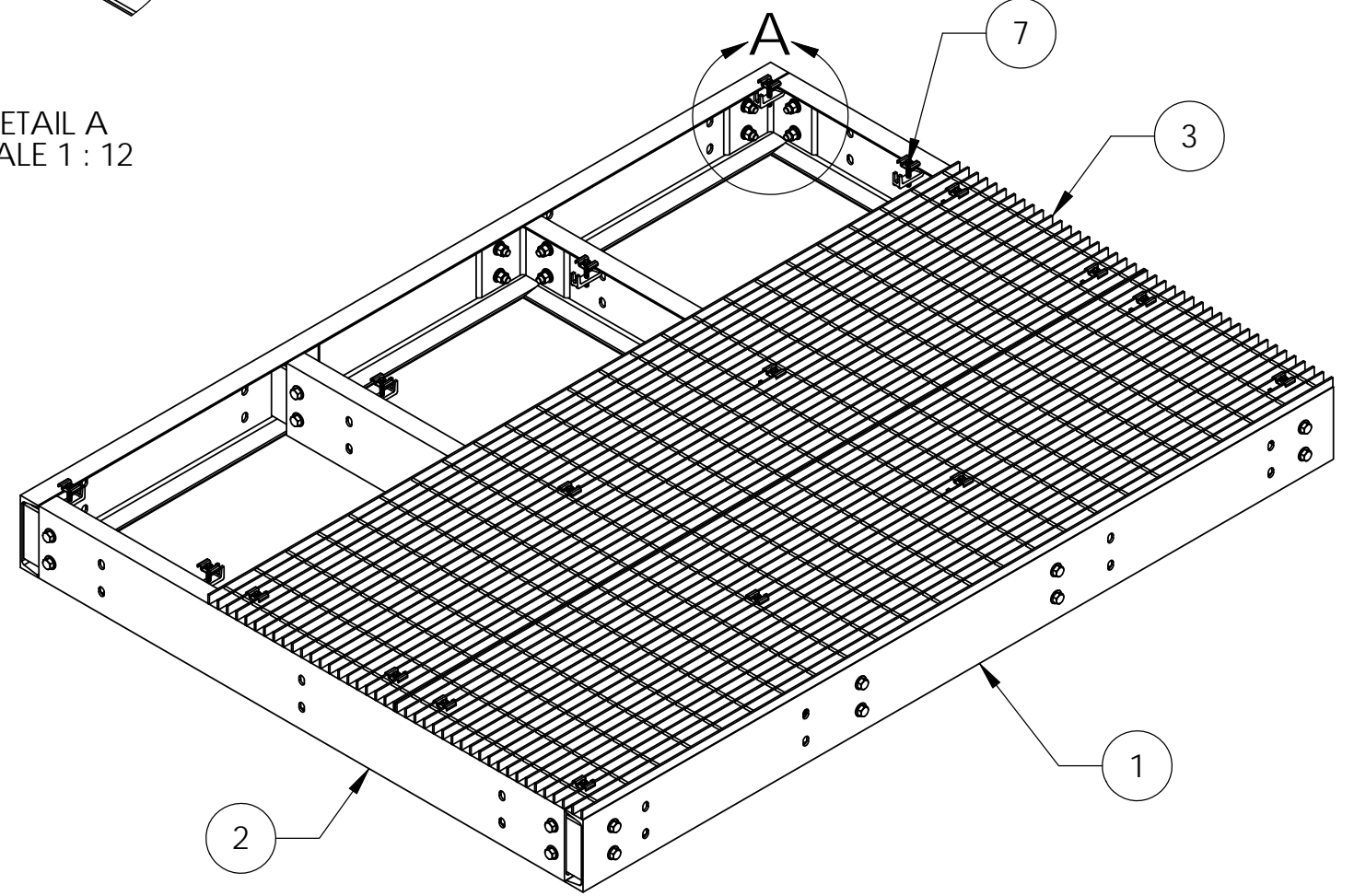
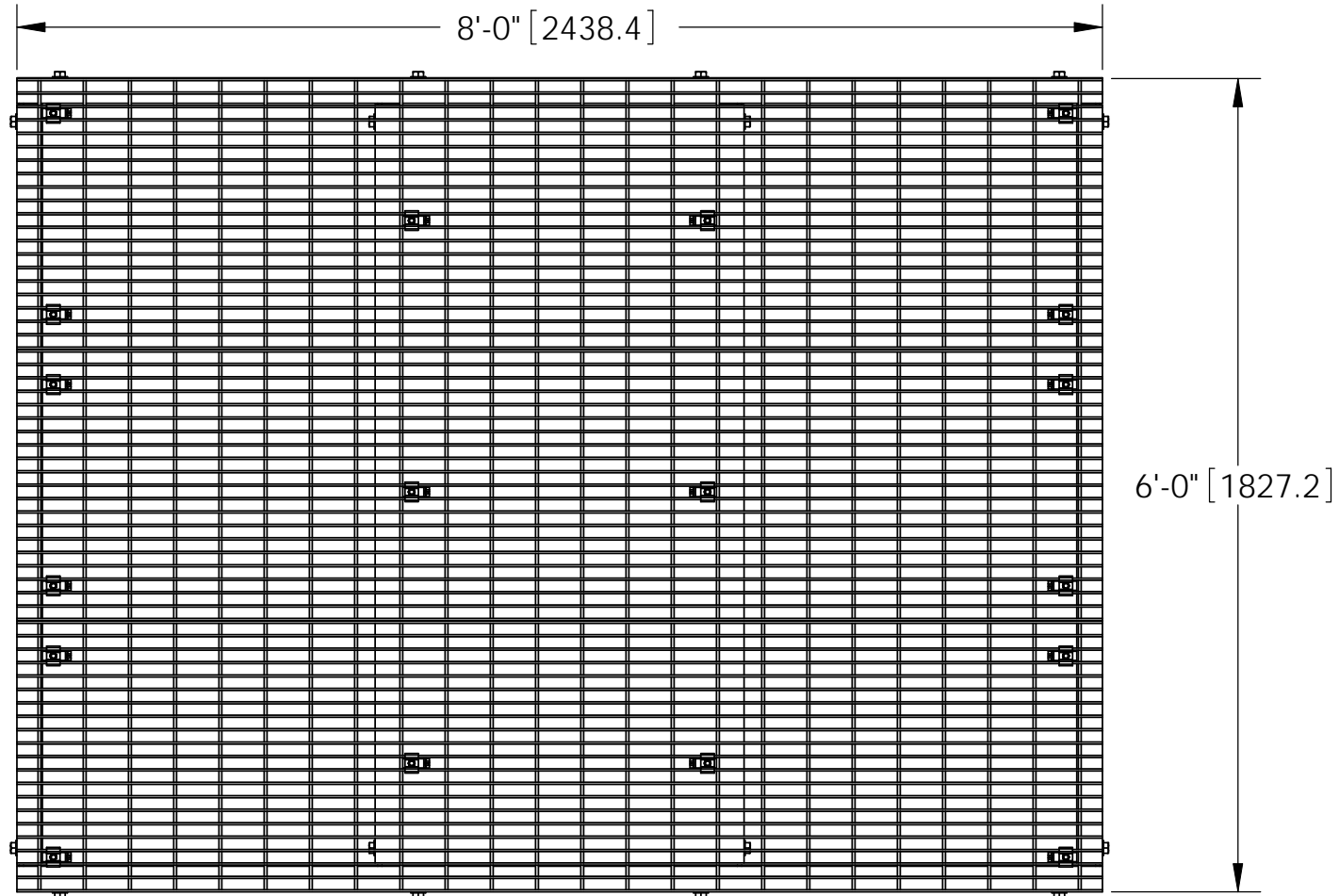


ITEM	PART NO.	DESCRIPTION	QTY.	WEIGHT
1	MTC79020408.01	8' SIDE CHANNEL	2	90.74 LBS
2	MTC88220610.01	6' CENTER CHANNEL	4	63.61 LBS
3	MTC79020808.03	24" X 96" BAR GRATING	3	114.17 LBS
4	MTC7902.03	CHANNEL ADAPTER ANGLE	8	7.07 LBS
5	GB-05205	5/8" X 2" GALV BOLT KIT	32	0.12 LBS
6	GWF-05	5/8" GALV FLAT WASHER	64	0.01 LBS
7	GCM03	GRATING CLIP	18	0.39 LBS


REVISIONS				
REV.	ZONE	DESCRIPTION	BY	DATE
A		INITIAL RELEASE	MSM	09/13/11



DETAIL A
SCALE 1 : 12



- NOTES:
- ALL METRIC DIMENSIONS ARE IN BRACKETS.
 - ALIGN BAR GRATING TO CROSS OVER CENTER CHANNELS.
 - UP TO 5% ADDITIONAL HARDWARE INCLUDED.

<small>These drawings and specifications are the proprietary property of ANDREW CORPORATION and may be used only for the specific purpose authorized in writing by Andrew Corporation.</small> ALL DIMENSIONS ARE IN INCHES U.O.S. TOLERANCES UNLESS OTHERWISE SPECIFIED: .X = ± .12 ANGLES ±2° .XX = ± .06 FRACTIONS ±1/32 .XXX = ± .03 REMOVE BURRS AND BREAK EDGES .005 DO NOT SCALE THIS PRINT	DRAWN BY: MSM	SHEET: 1 of 1	PART NUMBER: EQ-P0608-B
	CHECKED BY: TP	SCALE: NTS	DESCRIPTION: 6' X 8' PLATFORM BASE
	DATE: 09/13/11	MATERIAL: A36, A568	DRAWING TYPE: ASSEMBLY DRAWING
	REVISION: A	FINISH: GALV A123	 WESTCHESTER, IL. 60154 U.S.A.
	WEIGHT: 851.82 LBS		