

C195-SMSM-1M

CNT-195 CNT® Jumper with interface types SMA Male and SMA Male, 1 m



OBSOLETE

Product Classification

Product Type	Braided cable assembly
Product Brand	CNT®
Product Series	CNT-195

General Specifications

Body Style, Connector A	Straight
Body Style, Connector B	Straight
Cable Family	CNT-195
Interface, Connector A	SMA Male
Interface, Connector B	SMA Male
Specification Sheet Revision Level	A

Dimensions

Length	1 m 3.281 ft
Nominal Size	0.195 in

VSWR/Return Loss

Frequency Band	VSWR	Return Loss (dB)
700–2000 MHz	1.222	20.01
2000–3000 MHz	1.288	18

Jumper Assembly Sample Label

C195-SMSM-1M



Regulatory Compliance/Certifications

Agency

ISO 9001:2015



Classification

Designed, manufactured and/or distributed under this quality management system

Included Products

- 195PSM-CR – SMA Male for CNT-195 braided cable
- CNT-195-FR – CNT-195-FR, CNT® 50 Ohm Braided Coaxial Cable, black non-halogenated, fire retardant polyolefin jacket, Dca s2 d2 Compliant

195PSM-CR



SMA Male for CNT-195 braided cable

Product Classification

Product Type	Braided cable connector
Product Brand	CNT®

General Specifications

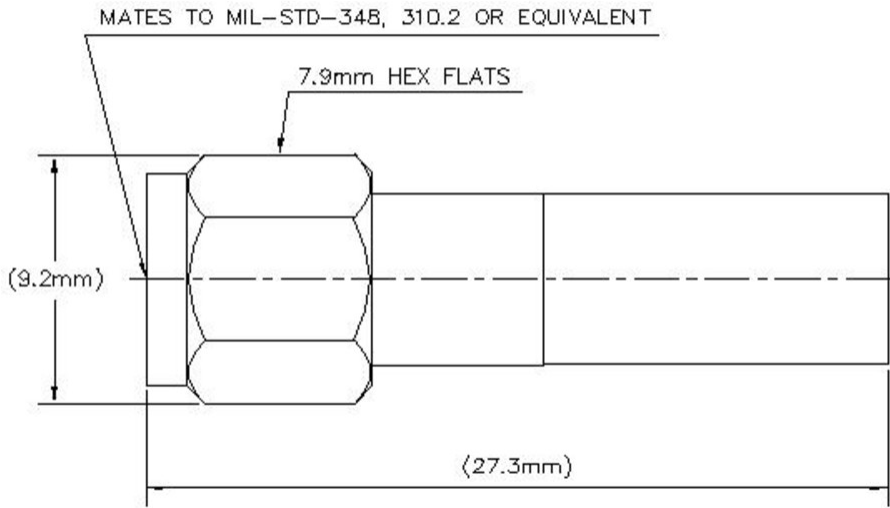
Body Style	Straight
Inner Contact Attachment Method	Solder
Inner Contact Plating	Gold
Interface	SMA Male
Outer Contact Attachment Method	Crimp
Outer Contact Plating	Trimetal

Dimensions

Width	9.15 mm 0.36 in
Length	27.32 mm 1.076 in
Diameter	9.15 mm 0.36 in
Nominal Size	0.195 in

Outline Drawing

195PSM-CR



Electrical Specifications

Insertion Loss, typical	0.05 dB
Cable Impedance	50 ohm
Connector Impedance	50 ohm
dc Test Voltage	1000 V
Inner Contact Resistance, maximum	3 mOhm
Insulation Resistance, minimum	5000 MOhm
Operating Frequency Band	0 – 6000 MHz
Outer Contact Resistance, maximum	2.5 mOhm
Peak Power, maximum	2.5 kW
RF Operating Voltage, maximum (vrms)	353 V

VSWR/Return Loss

Frequency Band	VSWR	Return Loss (dB)
0–3000 MHz	1.052	31.93
3000–6000 MHz	1.083	28

Mechanical Specifications

Connector Retention Tensile Force	134 N 30.124 lbf
Connector Retention Torque	0.17 N-m 1.505 in lb

195PSM-CR

Coupling Nut Proof Torque	1.7 N-m 15.046 in lb
Coupling Nut Proof Torque Method	IEC 61169-15:9.3.6
Coupling Nut Retention Force	180 N 40.466 lbf
Coupling Nut Retention Force Method	IEC 61169-15:9.3.11
Interface Durability	500 cycles
Interface Durability Method	IEC 61169-15:9.5
Mechanical Shock Test Method	IEC 60068-2-27

Environmental Specifications

Operating Temperature	-40 °C to +85 °C (-40 °F to +185 °F)
Storage Temperature	-65 °C to +125 °C (-85 °F to +257 °F)
Attenuation, Ambient Temperature	20 °C 68 °F
Average Power, Ambient Temperature	40 °C 104 °F
Average Power, Inner Conductor Temperature	100 °C 212 °F
Climatic Sequence Test Method	IEC 60068-1
Corrosion Test Method	IEC 60068-2-11
Damp Heat Steady State Test Method	IEC 60068-2-3
Thermal Shock Test Method	IEC 60068-2-14
Vibration Test Method	IEC 60068-2-6
Water Jetting Test Mating	Mated
Water Jetting Test Method	IEC 60529:2001, IP65

Packaging and Weights

Weight, net	5.31 g 0.012 lb
--------------------	-------------------

Regulatory Compliance/Certifications

Agency	Classification
ISO 9001:2015	Designed, manufactured and/or distributed under this quality management system



* Footnotes

Insertion Loss, typical	0.05√freq (GHz) (not applicable for elliptical waveguide)
--------------------------------	---

CNT-195-FR

CNT-195-FR, CNT® 50 Ohm Braided Coaxial Cable, black non-halogenated, fire retardant polyolefin jacket, Dca s2 d2 Compliant



Product Classification

Product Type	Braided coaxial cable
Product Brand	CNT®
Product Series	CNT-195

General Specifications

Braid Coverage	89 %
Cable Type	CNT-195
Jacket Color	Black

Dimensions

Diameter Over Dielectric	2.79 mm 0.11 in
Diameter Over Jacket	4.95 mm 0.195 in
Inner Conductor OD	0.94 mm 0.037 in
Outer Conductor OD	3.5 mm 0.138 in
Nominal Size	0.195 in

Electrical Specifications

Cable Impedance	50 ohm
Capacitance	79.7 pF/m 24.293 pF/ft
dc Resistance, Inner Conductor	25.5 ohms/km 7.772 ohms/kft
dc Resistance, Outer Conductor	16.08 ohms/km 4.901 ohms/kft
dc Test Voltage	1500 V
Jacket Spark Test Voltage (rms)	3000 V
Maximum Frequency	37.9 GHz

CNT-195-FR

Operating Frequency Band	30 – 6000 MHz
Peak Power	2.5 kW
Shielding Effectiveness	90 dB
Velocity	75 %

Attenuation

Frequency (MHz)	Attenuation (dB/100 m)	Attenuation (dB/100 ft)
30.0	6.56	2
50.0	8.53	2.6
150.0	14.43	4.4
220.0	17.71	5.4
450.0	25.58	7.8
700.0	32.05	9.77
800.0	34.31	10.46
900.0	36.41	11.1
1500.0	47.79	14.57
1800.0	52.48	16
2100.0	56.84	17.33
2500.0	62.32	19
3000.0	68.58	20.91
4000.0	79.87	24.35
4500.0	85.05	25.93
5000.0	89.97	27.43
5200.0	91.87	28.01
5500.0	94.66	28.86
5800.0	97.42	29.7
6000.0	99.19	30.24

Material Specifications

Braid Material	Tinned copper
Dielectric Material	Foam PE
Jacket Material	Non-halogenated, fire retardant polyolefin
Inner Conductor Material	Copper
Shield Tape Material	Aluminum

CNT-195-FR

Mechanical Specifications

Minimum Bend Radius, single Bend	12.7 mm 0.5 in
Tensile Strength	18 kg 39.683 lb
Bending Moment	0.3 N-m 2.655 in lb
Flat Plate Crush Strength	0.3 kg/mm 16.799 lb/in

Environmental Specifications

Installation temperature	-40 °C to +60 °C (-40 °F to +140 °F)
Operating Temperature	-40 °C to +60 °C (-40 °F to +140 °F)
Storage Temperature	-40 °C to +60 °C (-40 °F to +140 °F)
EN50575 CPR Cable EuroClass Fire Performance	Dca
EN50575 CPR Cable EuroClass Smoke Rating	s2
EN50575 CPR Cable EuroClass Droplets Rating	d2
Smoke Index Test Method	IEC 61034
Toxicity Index Test Method	IEC 60754-2

Packaging and Weights

Cable weight	0.03 kg/m 0.02 lb/ft
Packaging Type	Reel

Regulatory Compliance/Certifications

Agency	Classification
CENELEC	EN 50575 compliant, Declaration of Performance (DoP) available
CHINA-ROHS	Below maximum concentration value
ISO 9001:2015	Designed, manufactured and/or distributed under this quality management system
REACH-SVHC	Compliant as per SVHC revision on www.commscope.com/ProductCompliance
ROHS	Compliant

