

# IC-1010-S

---

Ice Canopy, 10 ft x 10 ft, four 10 ft 6 in base shoe pipes

## Product Classification

**Product Type** Ice canopies and shields

## General Specifications

**Pipe, quantity** 4

## Dimensions

**Height** 3,200.4 mm | 126 in

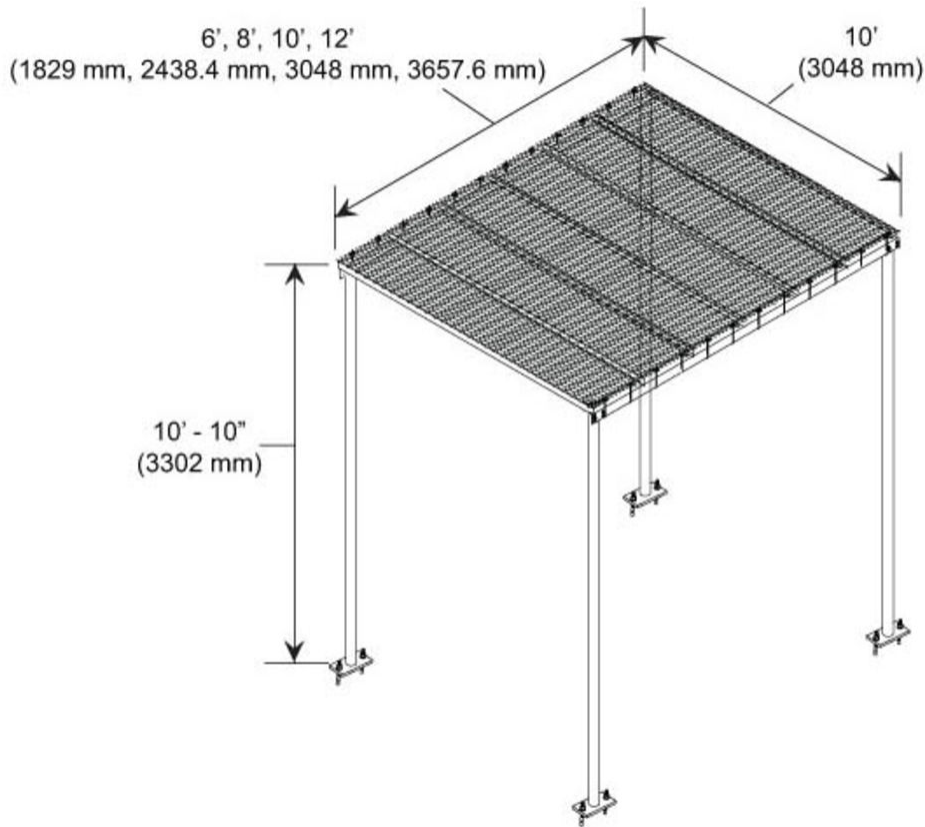
**Width** 3048 mm | 120 in

**Length** 3048 mm | 120 in

**Pipe Length** 3,200.4 mm | 126 in

# IC-1010-S

## Outline Drawing



## Material Specifications

**Material Type** Hot dip galvanized steel

## Packaging and Weights

**Included** Hardware | Legs | Safety grating

**Packaging quantity** 1

**Weight, net** 416 kg | 917.122 lb

## Regulatory Compliance/Certifications

**Agency** **Classification**

# IC-1010-S

---

ISO 9001:2015

Designed, manufactured and/or distributed under this quality management system



## Included Products

MF-126 — Base Shoe Pipe Column, 10 ft 6 in

WB-CY210 — Safety Grated Waveguide Bridge Channel, 24 in x 10 ft