

## MT050C

**DryLine® Dehydrator, Low-pressure membrane, 19 in rack mountable, Wall mountable, 3.0 psig (2-6 adjustable), with summary and discrete alarms, 115/230 Vac, 50/60 Hz**

- See related products for dc options, sold separately

### Outline Drawing-Front

---

### Outline Drawing-Side

---

### Outline Drawing-Back

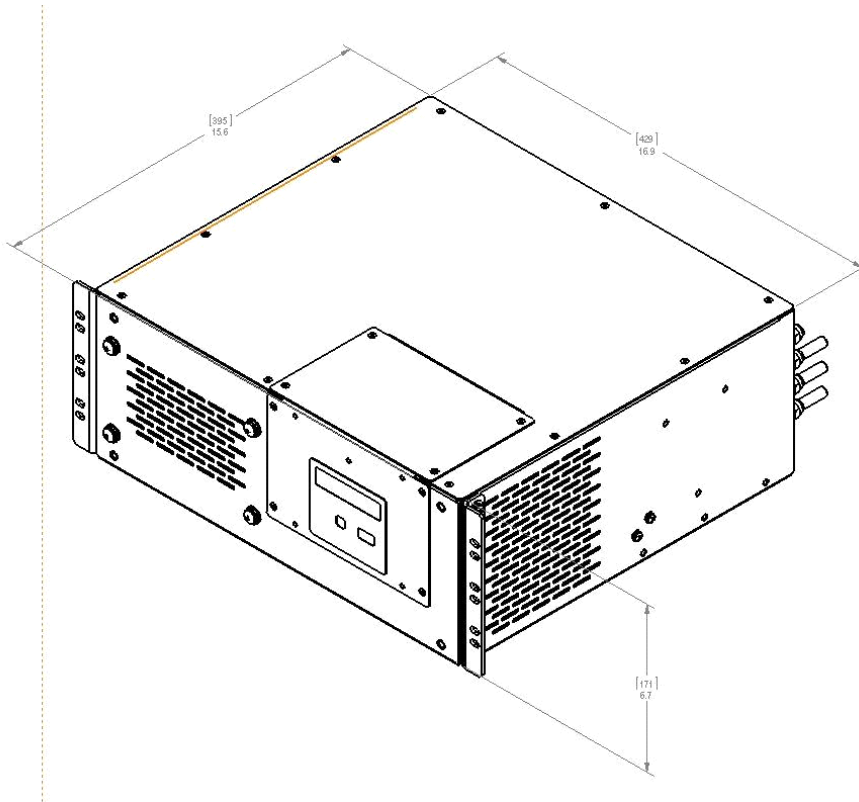
---

### Outline Drawing-Top

---

MT050C

## Outline Drawing-Section



## Alarm

Alarm Type	Discrete   Summary
Excess-Run Alarm	10 minutes, factory set
High-Humidity Alarm	7.5% RH, factory set
Low-Pressure Alarm	68 mbar   7 kPa   1 psig
Power-Fail Alarm	Loss of input power

## Dimensions

Net Weight	20.0 kg   44.1 lb
Product Depth	419.1 mm   16.5 in
Product Height	172.7 mm   6.8 in
Product Width	439.4 mm   17.3 in
Gross Weight, Packed	23.0 kg   50.7 lb
Product Depth, Packed	541.0 mm   21.3 in
Product Height, Packed	312.4 mm   12.3 in
Product Width, Packed	502.9 mm   19.8 in

## Electrical Specifications

Power Cord	Europe power cord with stripped leads   USA power cord
Voltage	115/230 Vac $\pm$ 10%, selectable

MT050C

Alarm Contact Rating	Form C dry contacts, 2 amps at 30 Vdc
Operating Temperature	-10 °C to +50 °C (+14 °F to +122 °F)
Power Consumption, at runtime	220.0 W
Power Consumption, average	6.6 W
Power Consumption, maximum	220.0 W
Power Consumption, minimum	0.2 W
Power Frequency	60/50 Hz
Power Phase	Single
Suggested Circuit Breaker Size	20 A
Circuit Breaker Requirement	Electrical connections require separate circuits for dehydrator installation

## General Specifications

Dehydrator Type	Automatic Membrane
Voltage Type	ac
Volume Capacity, minimum	0.0 L   0.0 ft <sup>3</sup>
Volume Capacity, maximum	1699.0 L   60.0 ft <sup>3</sup>
Brand	DryLine®
Dew Point	Better than -45 °C (-50 °F) at 95% RH at +40 °C (+104 °F)
Flow Rate, nominal	3.40 SLPM   0.12 SCFM
Includes	3/8 in polyethylene tubing   90° elbow fitting   Instruction sheet   Male connector fitting   Needle valve   Power cord   PTFE tape
Mount Type	Bench   Floor   Rack   Wall
Port Count	4
Port Type	3/8 in PE tube
Rack Type	EIA 19 in   ETSI N3 (optional)
Rack Units	4
Regulated Output Pressure Type	factory set
Regulated Output Pressure, maximum	42.0 kPa   6.0 psi
Regulated Output Pressure, minimum	14.0 kPa   2.0 psi

## Regulatory Compliance/Certifications

Agency	Classification
RoHS 2011/65/EU	Compliant
China RoHS SJ/T 11364-2006	Below Maximum Concentration Value (MCV)
ISO 9001:2008	Designed, manufactured and/or distributed under this quality management system

