

POWERED BY



WT-HRM2-126

Hand Rail Mount, 2-3/8 in OD x 126 in plain end pipe included

Dimensions

Pipe Outer Diameter	60.3 mm 2 3/8 in
Height	3200.4 mm 126.0 in
Length	609.6 mm 24.0 in
Weight	26.4 kg 58.3 lb
Width	203.2 mm 8.0 in

General Specifications

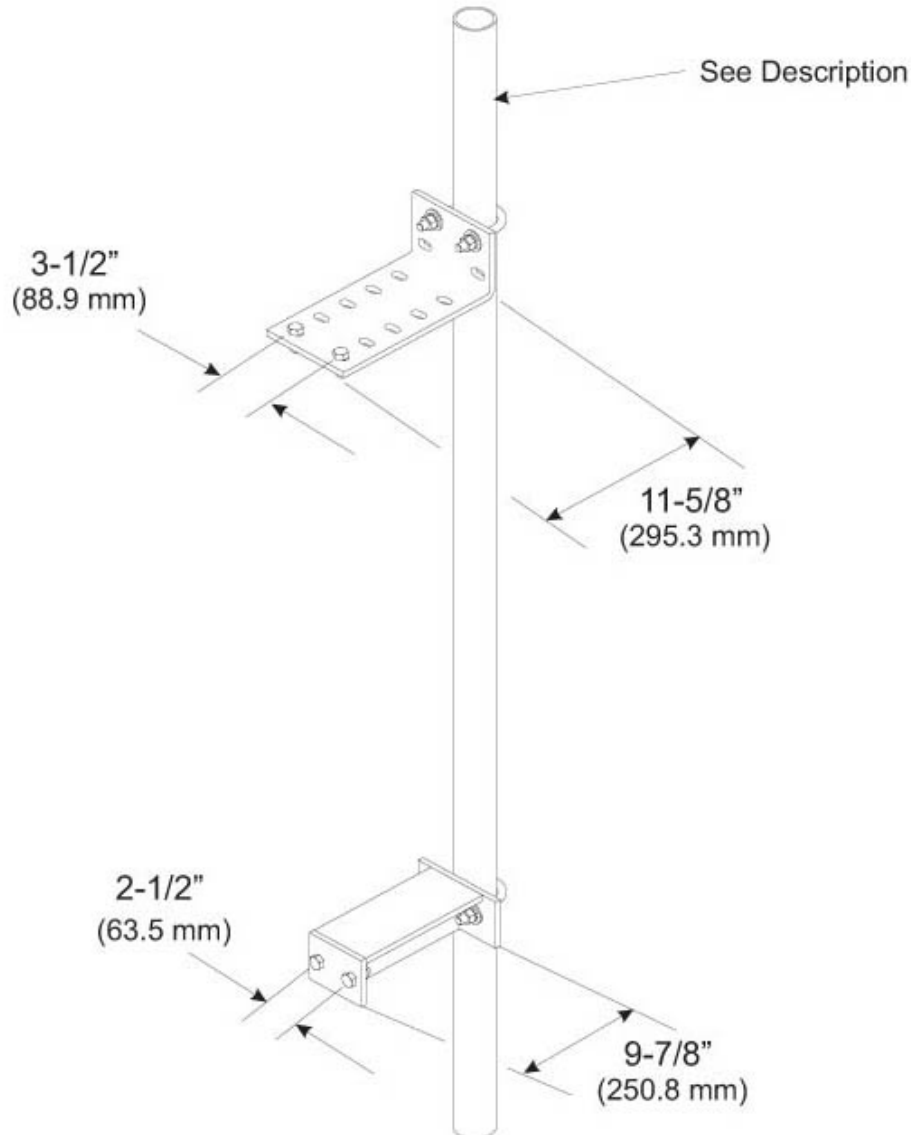
Product Type	Antenna mount
Pipe Length	3200.4 mm 126.0 in
Pipe, quantity	1
Includes	Hardware Mount Plain end pipes
Material Type	Hot dip galvanized steel
Mounting	Handrail Toe board
Package Quantity	1
Stand-off Distance	228.6 mm 9.0 in

WT-HRM2-126

POWERED BY



Outline Drawing



Regulatory Compliance/Certifications

Agency

ISO 9001:2008

Classification

Designed, manufactured and/or distributed under this quality management system

Included Products

WT-HRM2-B — Hand Rail Mount for 2-3/8 in OD mounting pipe, plain end pipe not included

Product Specifications

COMMSCOPE®

VT-HRM2-126



MT-537 — Plain End Pipe, 2-3/8 in OD x 126 in