

MT500D

DryLine® Dehydrator, Low-pressure membrane, 19 in rack mountable, Wall mountable, Cut-in at 2.0 psi, Cut-out at 5.0 psi, with discrete and summary alarms, 115/230 Vac, 50/60 Hz

- See related products for dc options, sold separately

Outline Drawing-Front

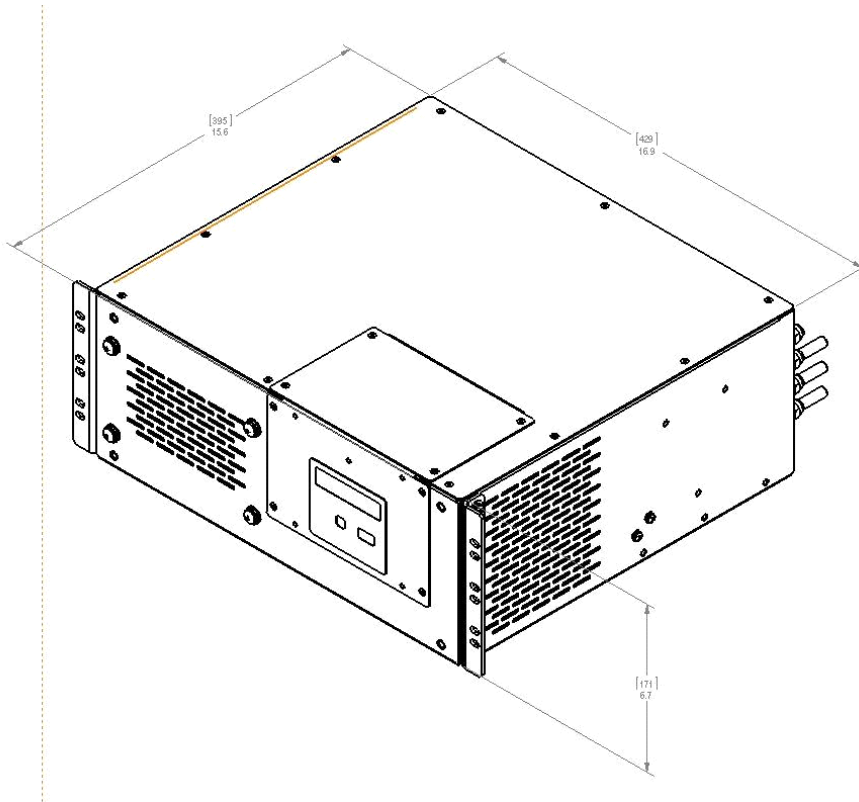
Outline Drawing-Side

Outline Drawing-Back

Outline Drawing-Top

MT500D

Outline Drawing-Section



Alarm

Alarm Type	Discrete Summary
Excess-Run Alarm	10 minutes, factory set
High-Humidity Alarm	7.5% RH, factory set
High-Pressure Alarm	Factory set (only on summary contacts)
Low-Pressure Alarm	68 mbar 7 kPa 1 psig
Power-Fail Alarm	Loss of input power

Dimensions

Net Weight	16.0 kg 35.3 lb
Product Depth	419.1 mm 16.5 in
Product Height	172.7 mm 6.8 in
Product Width	439.4 mm 17.3 in
Gross Weight, Packed	19.0 kg 41.9 lb
Product Depth, Packed	541.0 mm 21.3 in
Product Height, Packed	312.4 mm 12.3 in
Product Width, Packed	502.9 mm 19.8 in

Electrical Specifications

Power Cord	Europe power cord with stripped leads USA power cord
------------	--

MT500D

Voltage	115/230 Vac \pm 10%, selectable
Alarm Contact Rating	Form C dry contacts, 2 amps at 30 Vdc
Operating Temperature	-10 °C to +50 °C (+14 °F to +122 °F)
Power Consumption, at runtime	275.0 W
Power Consumption, average	8.3 W
Power Consumption, maximum	275.0 W
Power Consumption, minimum	0.2 W
Power Frequency	60/50 Hz
Power Phase	Single
Suggested Circuit Breaker Size	20 A
Circuit Breaker Requirement	Electrical connections require separate circuits for dehydrator installation

General Specifications

Dehydrator Type	Automatic Membrane
Voltage Type	ac
Volume Capacity, minimum	283.2 L 10.0 ft ³
Volume Capacity, maximum	3398.0 L 120.0 ft ³
Brand	DryLine®
Cut In/Out Pressure Type	Factory set
Cut In Pressure	14.0 kPa 2.0 psig
Cut In Pressure Default	14.0 kPa 2.0 psig
Cut Out Pressure	34.5 kPa 5.0 psig
Cut Out Pressure Default	34.5 kPa 5.0 psig
Dew Point	Better than -45 °C (-50 °F) at 95% RH at +40 °C (+104 °F)
Flow Rate, nominal	14.20 SLPM 0.50 SCFM
Includes	3/8 in polyethylene tubing 90° elbow fitting Instruction sheet Male connector fitting Needle valve Power cord PTFE tape
Mount Type	Bench Floor Rack Wall
Port Count	4
Port Type	3/8 in PE tube
Rack Type	EIA 19 in ETSI N3 (optional)
Rack Units	4

Regulatory Compliance/Certifications

Agency	Classification
RoHS 2011/65/EU	Compliant
China RoHS SJ/T 11364-2006	Below Maximum Concentration Value (MCV)
ISO 9001:2008	Designed, manufactured and/or distributed under this quality management system

