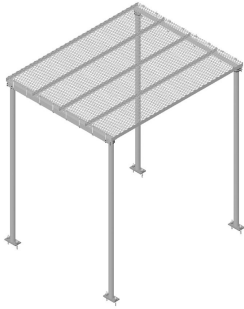


POWERED BY



IC-1012-S

Ice Canopy, 10 ft x 12 ft, four 10 ft 6 in base shoe pipes



Dimensions

Height	3200.4 mm 126.0 in
Length	3.7 m 12.0 ft
Weight	468.0 kg 1031.8 lb
Width	3.0 m 10.0 ft

General Specifications

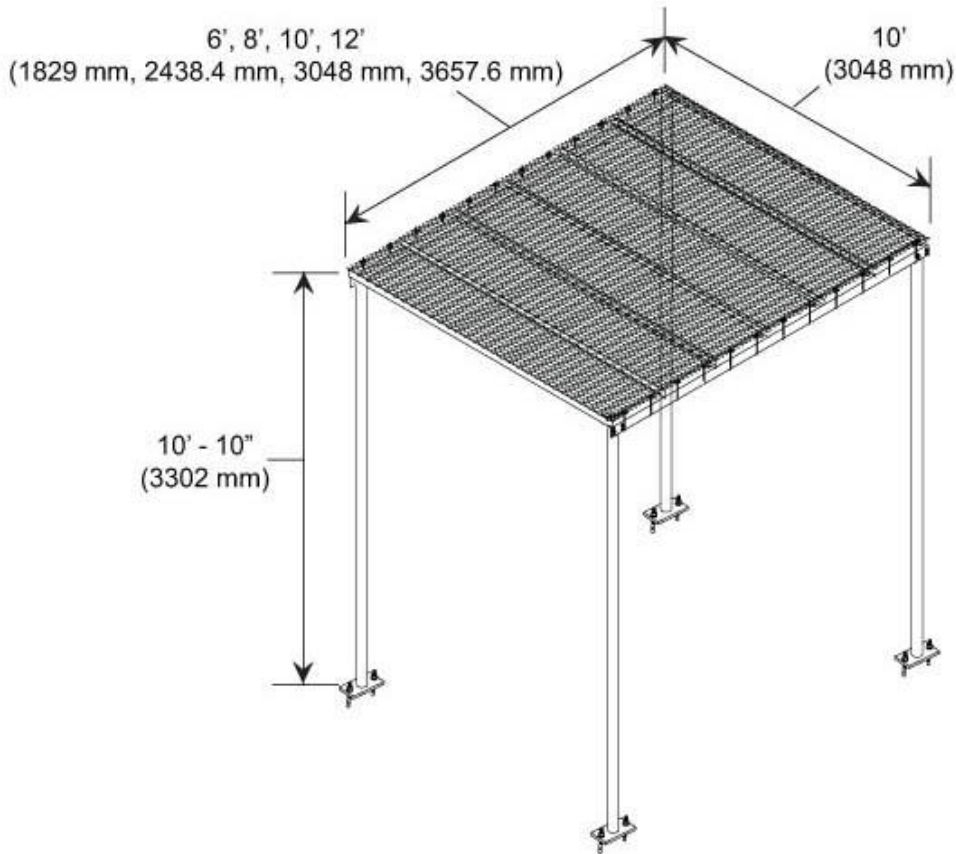
Product Type	Ice canopies and shields
Includes	Hardware Legs Safety grating
Material Type	Hot dip galvanized steel
Package Quantity	1
Pipe Length	3200.4 mm 126.0 in
Pipe, quantity	4

IC-1012S

POWERED BY



Outline Drawing



Regulatory Compliance/Certifications

Agency	Classification
ISO 9001:2008	Designed, manufactured and/or distributed under this quality management system

Included Products

- MF-126 — Base Shoe Pipe Column, 10 ft 6 in
 - MT-287 — Wedge Anchor, 3/4 in x 7 in
- WB-CY210 — Safety Grated Waveguide Bridge Channel, 24 in x 10 ft