

400BPTM-C-CR



TNC Male for CNT-400 braided cable

Product Classification

| | |
|----------------------|-------------------------|
| Product Type | Braided cable connector |
| Product Brand | CNT® ConQuest® |

General Specifications

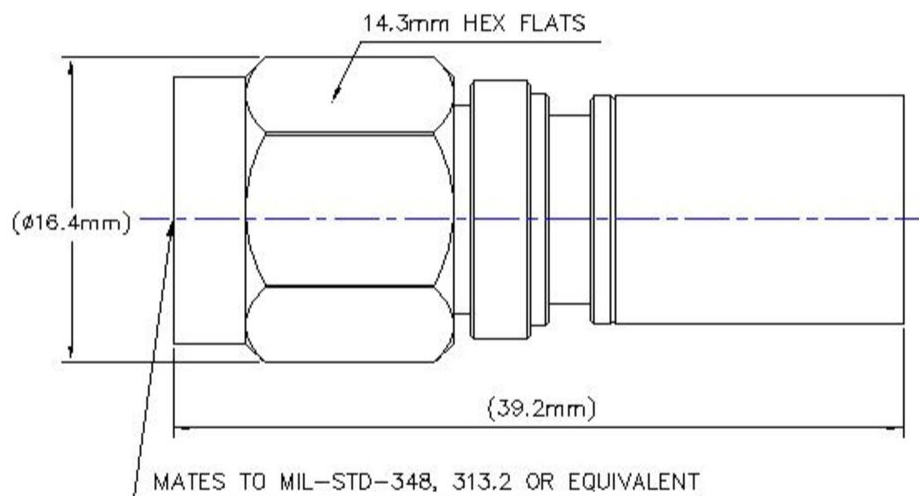
| | |
|--|------------|
| Body Style | Straight |
| Inner Contact Attachment Method | Captivated |
| Inner Contact Plating | Silver |
| Interface | TNC Male |
| Outer Contact Attachment Method | Crimp |
| Outer Contact Plating | Trimetal |

Dimensions

| | |
|---------------------|---------------------|
| Length | 40.74 mm 1.604 in |
| Diameter | 16 mm 0.63 in |
| Nominal Size | 0.405 in |

400BPTM-C-CR

Outline Drawing



Electrical Specifications

| | |
|--|--------------|
| Insertion Loss, typical | 0.05 dB |
| Cable Impedance | 50 ohm |
| Connector Impedance | 50 ohm |
| dc Test Voltage | 1500 V |
| Inner Contact Resistance, maximum | 1.5 mOhm |
| Insulation Resistance, minimum | 5000 MOhm |
| Operating Frequency Band | 0 – 6000 MHz |
| Outer Contact Resistance, maximum | 0.4 mOhm |
| Peak Power, maximum | 5 kW |

400BPTM-C-CR

RF Operating Voltage, maximum (vrms) 500 V

VSWR/Return Loss

| Frequency Band | VSWR | Return Loss (dB) |
|----------------|------|------------------|
| 0–3000 MHz | 1.05 | 33 |
| 3000–6000 MHz | 1.18 | 22 |

Mechanical Specifications

| | |
|--|------------------------|
| Connector Retention Tensile Force | 330 N 74.187 lbf |
| Connector Retention Torque | 0.56 N-m 4.956 in lb |
| Coupling Nut Proof Torque | 1.7 N-m 15.046 in lb |
| Coupling Nut Proof Torque Method | IEC 61169-17:9.3.6 |
| Coupling Nut Retention Force | 445 N 100.04 lbf |
| Coupling Nut Retention Force Method | IEC 61169-17:9.3.11 |
| Interface Durability | 500 cycles |
| Interface Durability Method | IEC 61169-17:17 |
| Mechanical Shock Test Method | IEC 60068-2-27 |

Environmental Specifications

| | |
|---|---------------------------------------|
| Operating Temperature | -40 °C to +85 °C (-40 °F to +185 °F) |
| Storage Temperature | -65 °C to +125 °C (-85 °F to +257 °F) |
| Average Power, Ambient Temperature | 40 °C 104 °F |
| Average Power, Inner Conductor Temperature | 100 °C 212 °F |
| Climatic Sequence Test Method | IEC 60068-1 |
| Corrosion Test Method | IEC 60068-2-11 |
| Damp Heat Steady State Test Method | IEC 60068-2-3 |
| Thermal Shock Test Method | IEC 60068-2-14 |
| Vibration Test Method | IEC 60068-2-6 |
| Water Jetting Test Mating | Mated |
| Water Jetting Test Method | IEC 60529:2001, IP65 |

Packaging and Weights

Weight, net 21.52 g | 0.047 lb

400BPTM-C-CR

Regulatory Compliance/Certifications

Agency

CHINA-ROHS

ISO 9001:2015

REACH-SVHC

ROHS



Classification

Below maximum concentration value

Designed, manufactured and/or distributed under this quality management system

Compliant as per SVHC revision on www.commscope.com/ProductCompliance

Compliant

* Footnotes

Insertion Loss, typical $0.05\sqrt{\text{freq}}$ (GHz) (not applicable for elliptical waveguide)