

POWERED BY



PB-G3T-4

Tapered Pipe Frame Stand-Off Bracket, 36 in, for 4 in to 8 in OD legs

Dimensions

Mounting Diameter, maximum	203.2 mm		8 in
Mounting Diameter, minimum	101.6 mm		4 in
Height	1447.8 mm		57.0 in
Length	838.2 mm		33.0 in
Weight	62.6 kg		138.0 lb
Width	254.0 mm		10.0 in

Environmental Specifications

Man Rating	250 lb vertical man load at 15 mph (BWS)
Wind Rating	120 mph (BWS) at 150 ft AGL 140 mph (3-second gust) at 150 ft AGL using Exposure D per FBC
Wind Rating Test Method	TIA/EIA-222

General Specifications

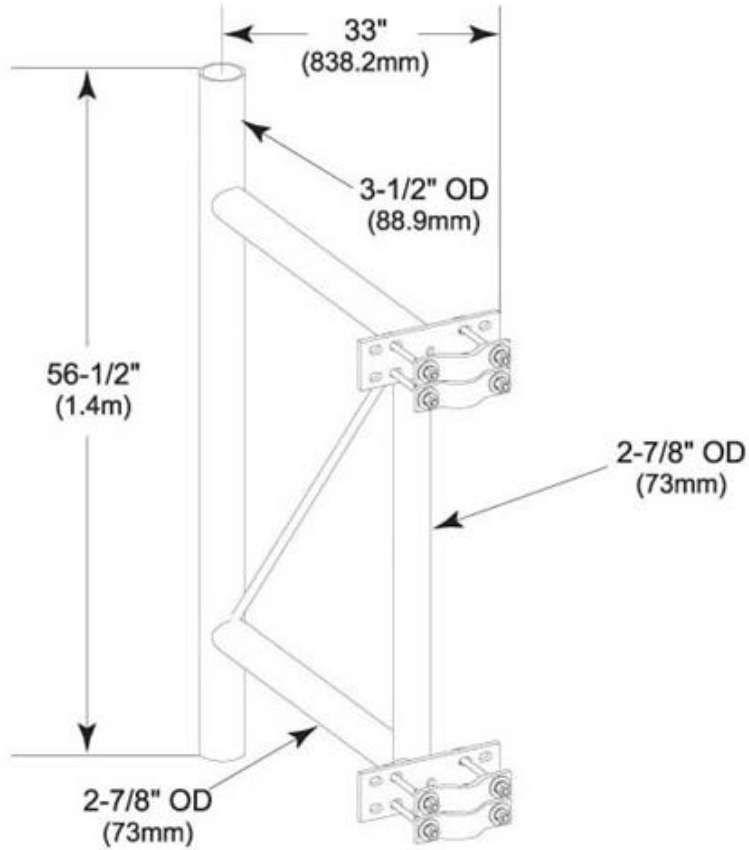
Product Type	Stand-off mount
Stand-off Distance	914.4 mm 36.0 in
Tower Taper	Tapered
Includes	Clamps Stand-off
Material Type	Hot dip galvanized steel
Mounting	Legs, 101.6–203.2 mm (4–8 in) OD
Note	Four 72 in x 8 in panel antennas per sector
Package Quantity	1

PB-G3T-4

POWERED BY



Outline Drawing



Regulatory Compliance/Certifications

Agency	Classification
ISO 9001:2008	Designed, manufactured and/or distributed under this quality management system

* Footnotes

Man Rating	BWS—Base Wind Speed
Wind Rating	BWS—Base Wind Speed; FBC—Florida Building Code