

EX-P1060

Ex-Press® Expansion/Compression Coaxial Cable Mounting Band; For patents, see www.cs-pat.com.

Product Classification

Product Type Mounting band

General Specifications

Hole, quantity 12

Mounting Access tube, 914.4–1524 mm (36–60 in) | Polygon monopole, 254–1524 mm (10–60 in) | Round monopole, 254– 1524 mm (10–60 in)

Dimensions

Height 76.2 mm | 3 in

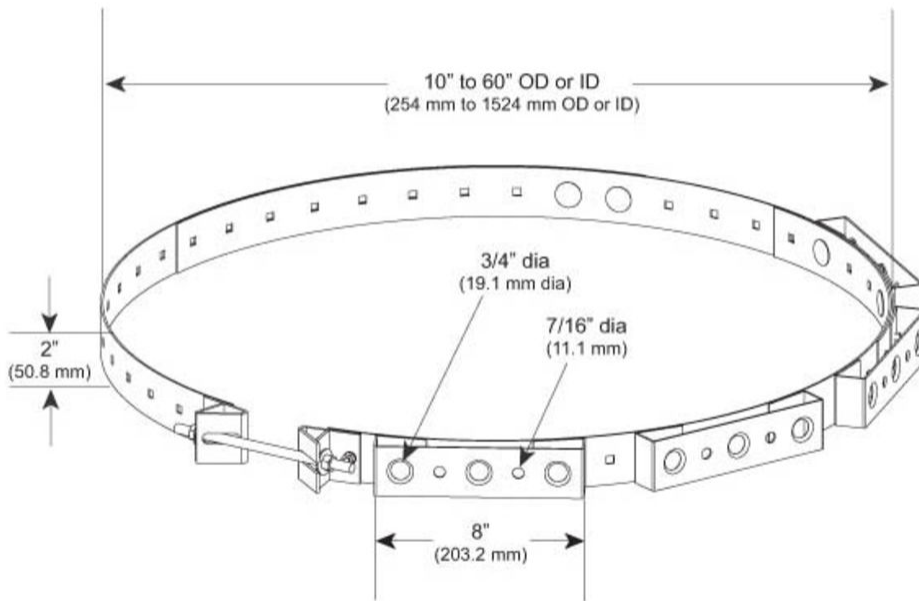
Width 1524 mm | 60 in

Length 1524 mm | 60 in

Hole Size 3/4 in | 7/16 in

EX-P1060

Outline Drawing



Material Specifications

Material Type Aluminum | Hot dip galvanized steel

Packaging and Weights

Included Bands | Brackets | Hardware

Packaging quantity 1

Weight, net 2.8 kg | 6.173 lb

Regulatory Compliance/Certifications

Agency **Classification**

EX-P1060

ISO 9001:2015

Designed, manufactured and/or distributed under this quality management system

REACH-SVHC

Compliant as per SVHC revision on www.commscope.com/ProductCompliance

ROHS

Compliant

