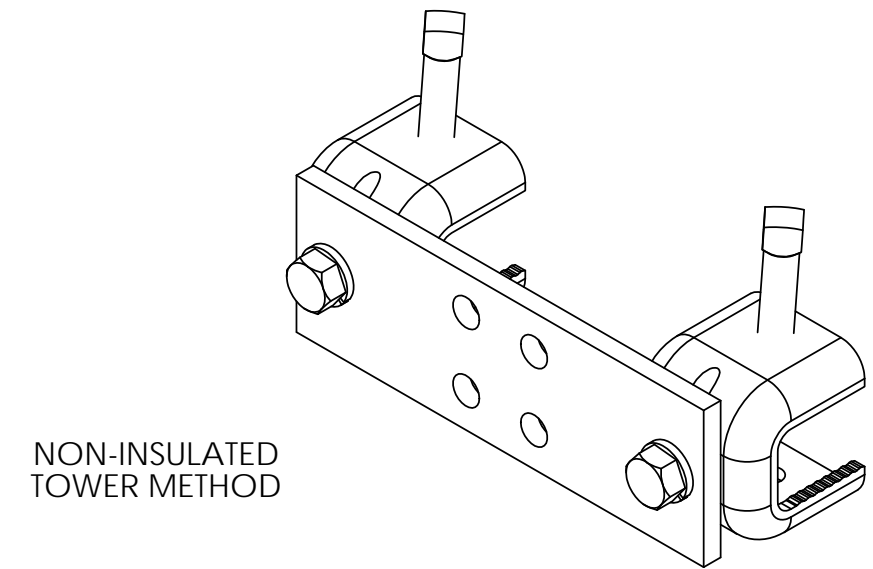
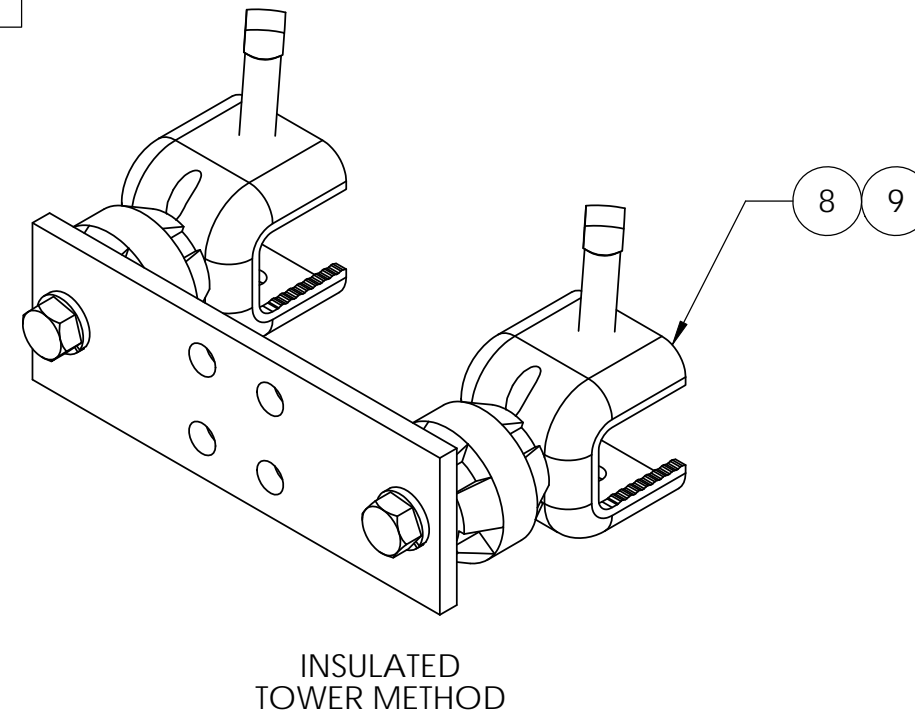
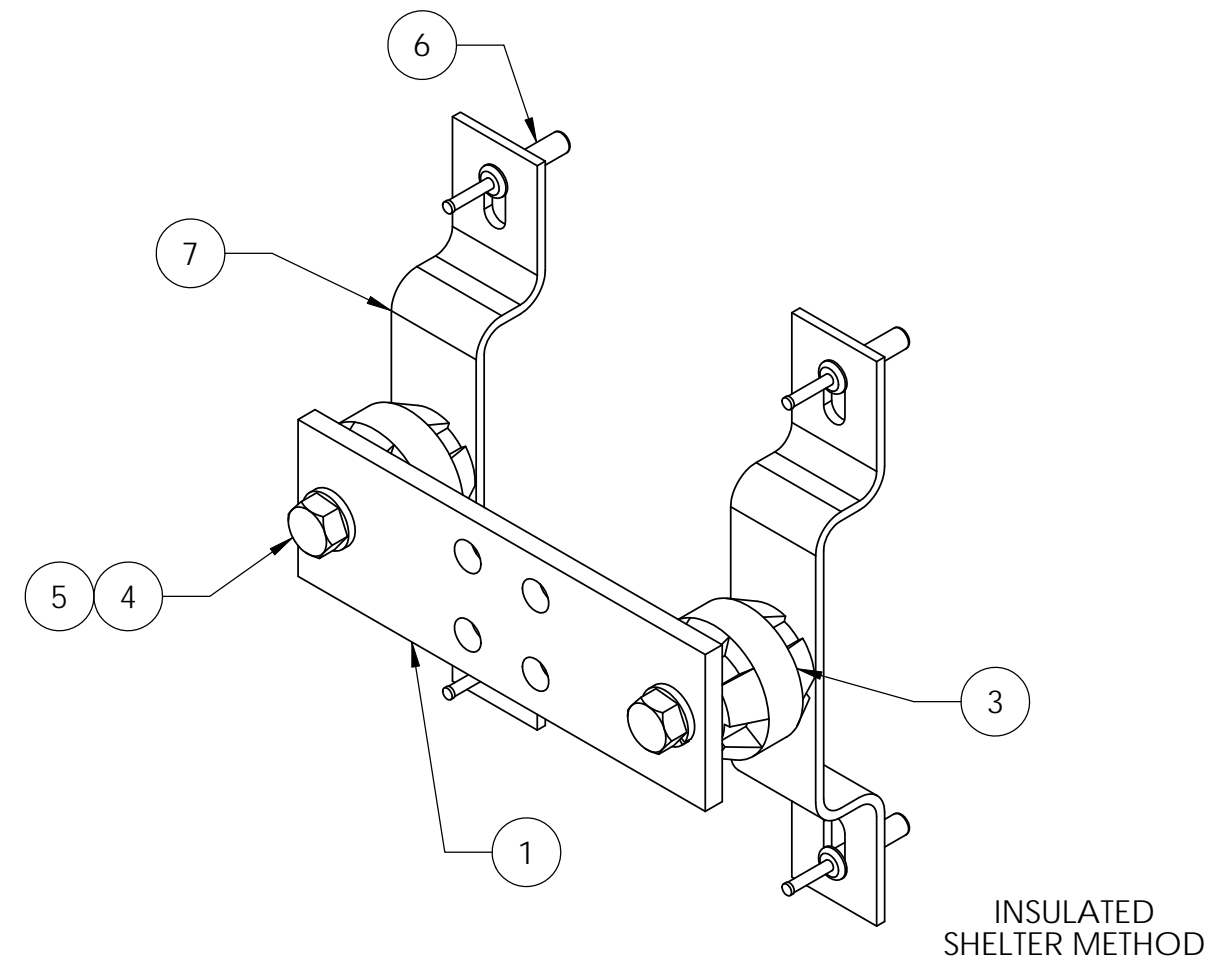


ITEM	PART NO.	DESCRIPTION	QTY.	WEIGHT
1	MTC3030601	1/4 x 2 x 6 Buss Bar	1	0.91 LBS
2	GB-HK-DPU	HARDWARE KIT (ITEMS 3-9)	1	
3	MT520	INSULATOR W/ 3/8" INSERT	2	0.21 LBS
4	SB-0305	3/8" X 5/8" SS BOLT	4	0.04 LBS
5	SWL-03	3/8" SS LOCK WASHER	4	0.00 LBS
6	DPA141ZP	6.5 x 25mm DRIVE PIN ANCHOR	4	0.02 LBS
7	MT500GDP	STANDOFF BRACKET	2	0.33 LBS
8	45840-1	Hangar Clamp	2	0.38 LBS
9	SB0316#4	3/8-16 X 1-3/4" SS SQUARE HEAD SET SCREW	2	0.07 LBS

REVISIONS				
REV.	ZONE	DESCRIPTION	BY	DATE
A		INITIAL RELEASE	MSM	03/22/12
B		REVISED HARDWARE KIT	DRR	04/08/13



NOTES:
1. BUSS BAR SHOWN IN VARIOUS MOUNTING CONFIGURATIONS.

These drawings and specifications are the proprietary property of CommScope Inc. and may be used only for the specific purpose authorized in writing by CommScope Inc.

ALL DIMENSIONS ARE IN INCHES U.O.S.
TOLERANCES UNLESS OTHERWISE SPECIFIED:
.X = ± .12 ANGLES ±2°
.XX = ± .06 FRACTIONS ±1/32
.XXX = ± .031

REMOVE BURRS AND BREAK EDGES .005

DO NOT SCALE THIS PRINT

DRAWN BY: MSM	SHEET: 1 of 1
CHECKED BY: TP	SCALE: NTS
DATE: 03/22/12	MATERIAL: COPPER
REVISION: B	FINISH: TINNED
	WEIGHT: 1.92 LBS

PART NUMBER: MTC30306
DESCRIPTION: 2" X 4" GROUND BUSS BAR KIT
DRAWING TYPE: ASSEMBLY DRAWING
COMMSCOPE® Hickory, NC 28602 U.S.A.