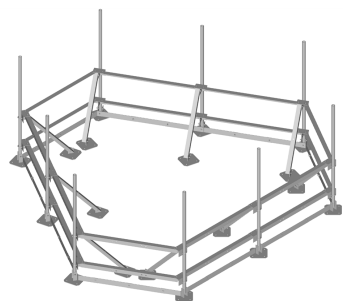


POWERED BY



WT-RTA14-12-96

Water Tower Rooftop Assembly, 3-sector, 14 ft face, twelve 2-3/8 in OD x 96 in plain end pipes included

Dimensions

Face Width	4.4 m 14.5 ft
Pipe Outer Diameter	60.3 mm 2 3/8 in
Height	2438.4 mm 96.0 in
Length	4876.8 mm 192.0 in
Weight	825.8 kg 1820.6 lb
Width	4876.8 mm 192.0 in

General Specifications

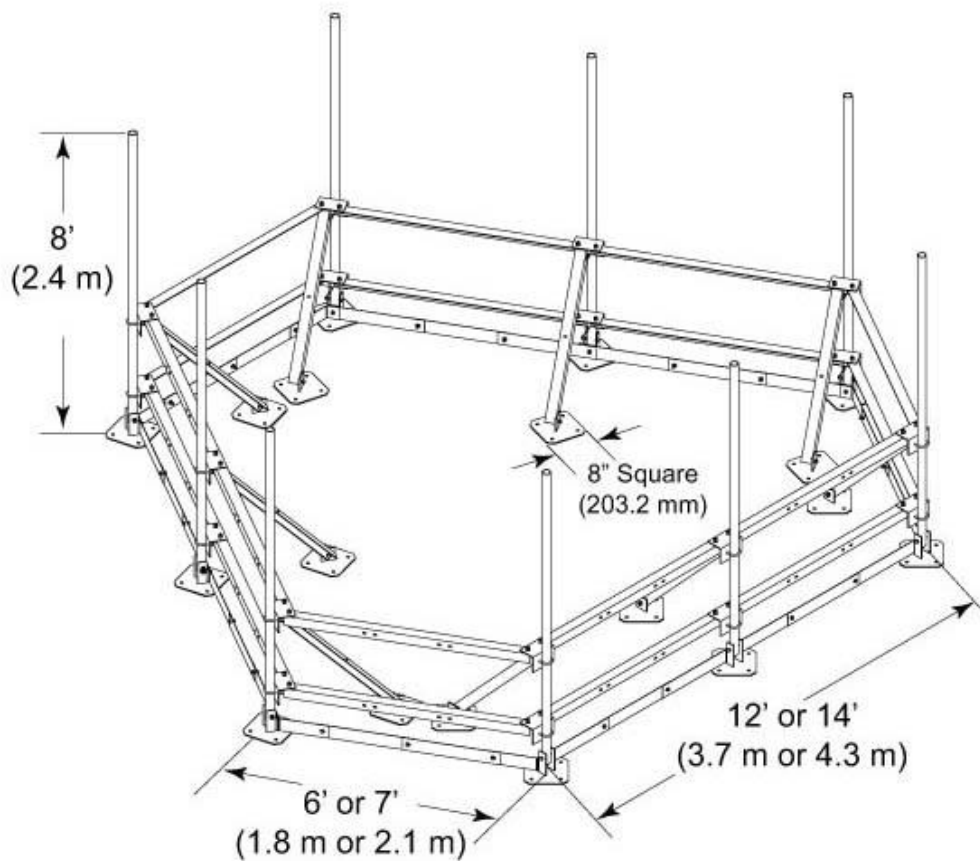
Product Type	Roofop assembly
Pipe Length	2438.4 mm 96.0 in
Pipe, quantity	12
Includes	Mount Plain end pipes, twelve
Material Type	Hot dip galvanized steel
Mounting	Weld-on feet
Package Quantity	1
Sectors, quantity	3

WTRTA14-1296

POWERED BY



Outline Drawing



Regulatory Compliance/Certifications

Agency	Classification
ISO 9001:2008	Designed, manufactured and/or distributed under this quality management system