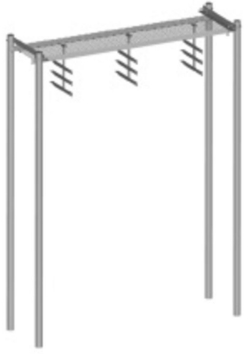


WB-K410-B



Safety Grated Waveguide Bridge Kit, 24 in x 10 ft, with four 13 ft 4 in direct burial posts

Product Classification

Product Type Waveguide bridge kit

General Specifications

Application Direct burial

Cable Runs, quantity 24

Pipe, quantity 4

Dimensions

Height 4064 mm | 160 in

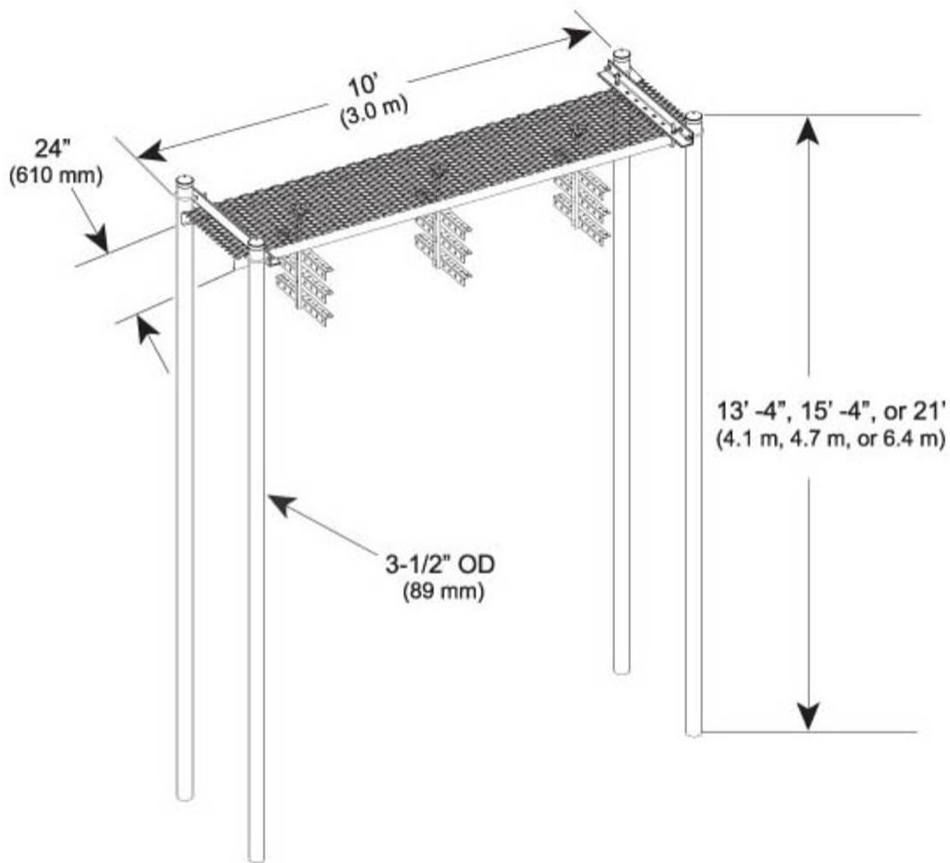
Width 609.6 mm | 24 in

Length 3048 mm | 120 in

Pipe Length 4,053.84 mm | 159.6 in

WB-K410-B

Outline Drawing



Material Specifications

Material Type Hot dip galvanized steel

Packaging and Weights

Included Caps | Channel | Hardware | Posts | Support brackets | Trapeze

Packaging quantity 1

Weight, net 270.4 kg | 596.129 lb

Regulatory Compliance/Certifications

Agency **Classification**

WB-K410-B

CHINA-ROHS	Below maximum concentration value
ISO 9001:2015	Designed, manufactured and/or distributed under this quality management system
REACH-SVHC	Compliant as per SVHC revision on www.commscope.com/ProductCompliance
ROHS	Compliant



Included Products

- MF-130 — Direct Burial Pipe Column, 13 ft 4 in
- WB-CS24-3 — Safety Grated Channel Support, 24 in wide for 3-1/2 in OD pipe
- WB-CY210 — Safety Grated Waveguide Bridge Channel, 24 in x 10 ft
- WB-T24-3 — Trapeze Kit, triple tee, 24 in wide, three rungs