

WB-T12-3

Trapeze Kit, triple tee, 12 in wide, three rungs

Product Classification

Product Type Trapeze kit

General Specifications

Application Waveguide bridge kit, 12 in

Cable Runs, quantity 12

Hole, quantity 12

Mounting Waveguide bridge channel

Rungs, quantity 3

Dimensions

Height 76.2 mm | 3 in

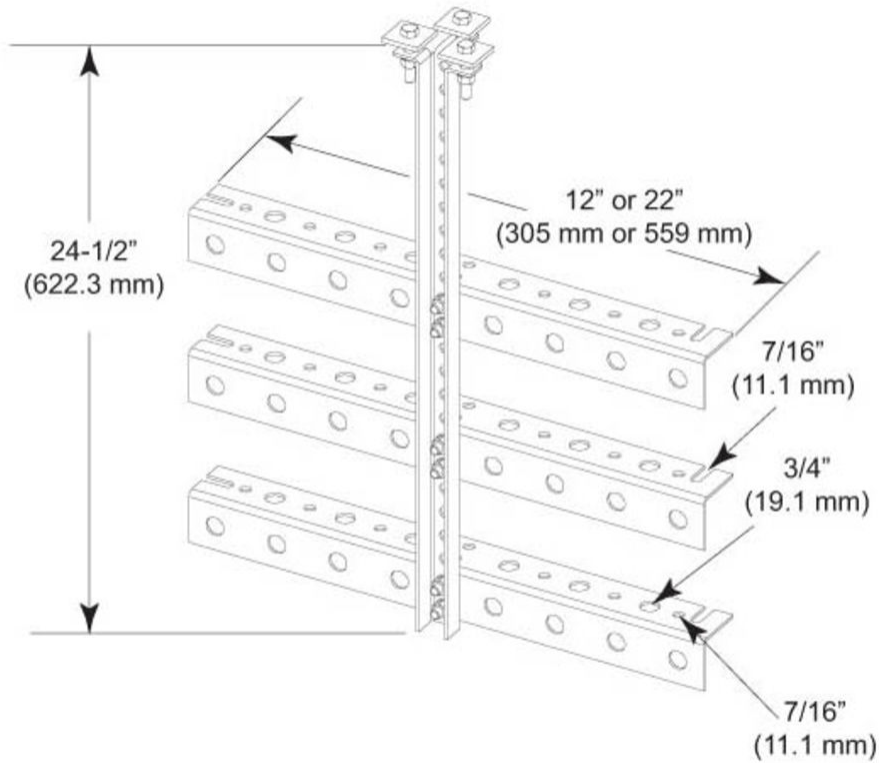
Width 304.8 mm | 12 in

Length 635 mm | 25 in

Hole Size 3/4 in | 7/16 in

WB-T12-3

Outline Drawing



Material Specifications

Material Type Hot dip galvanized steel

Packaging and Weights

Included Angle brackets | Mounting hardware

Packaging quantity 1

Weight, net 4.1 kg | 9.039 lb

Regulatory Compliance/Certifications

Agency **Classification**

WB-T12-3

ISO 9001:2015

Designed, manufactured and/or distributed under this quality management system

REACH-SVHC

Compliant as per SVHC revision on www.commscope.com/ProductCompliance

ROHS

Compliant

