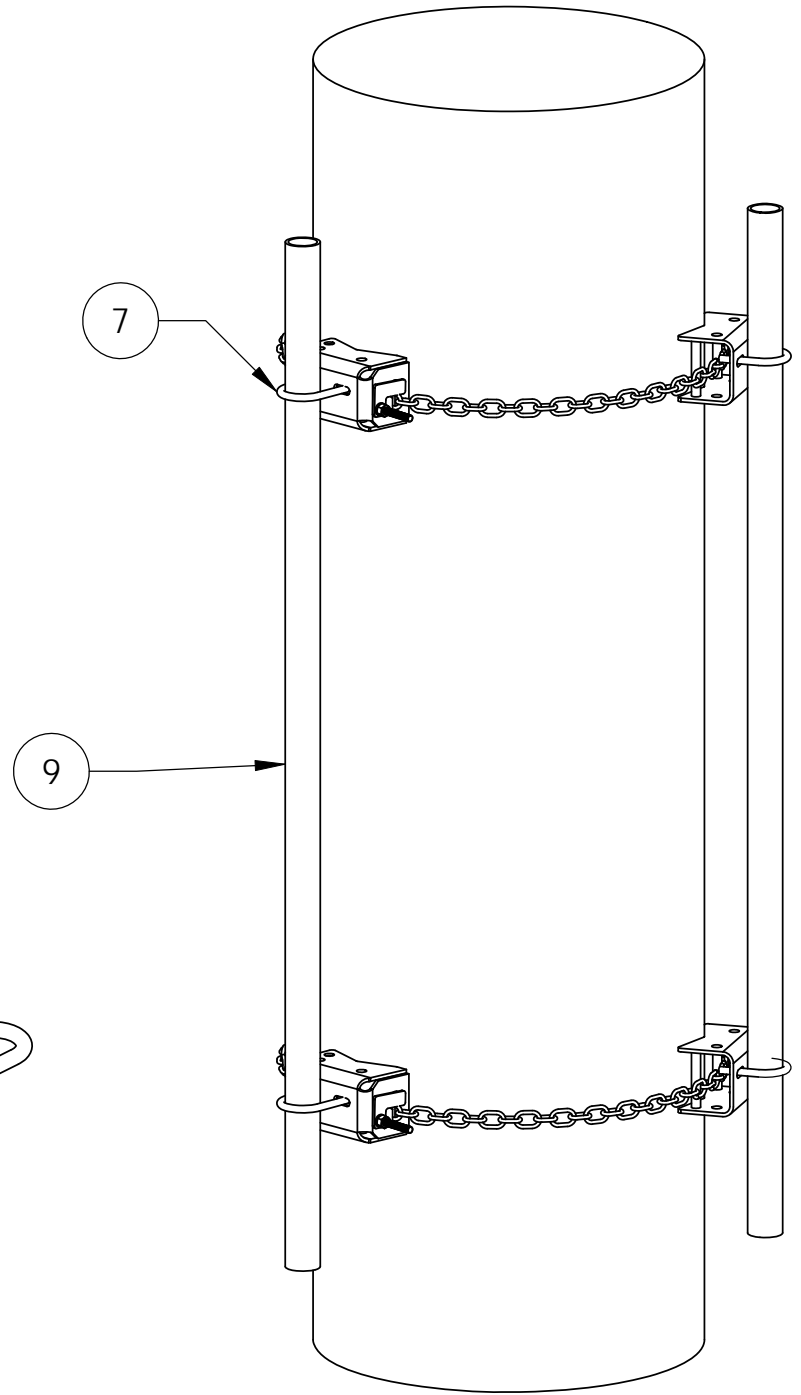
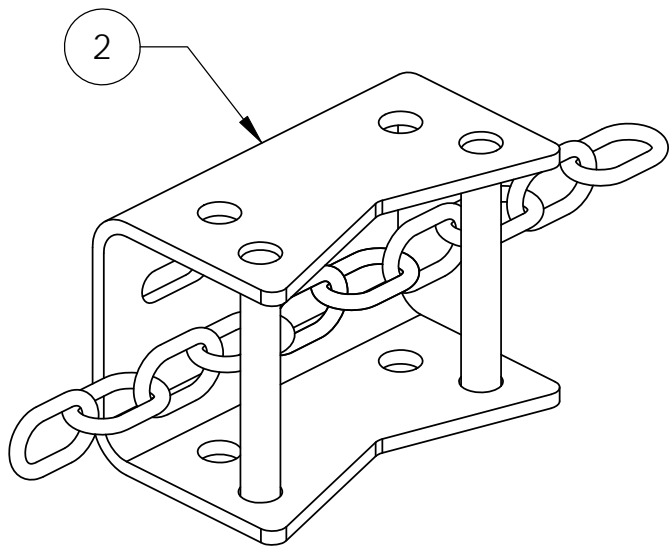
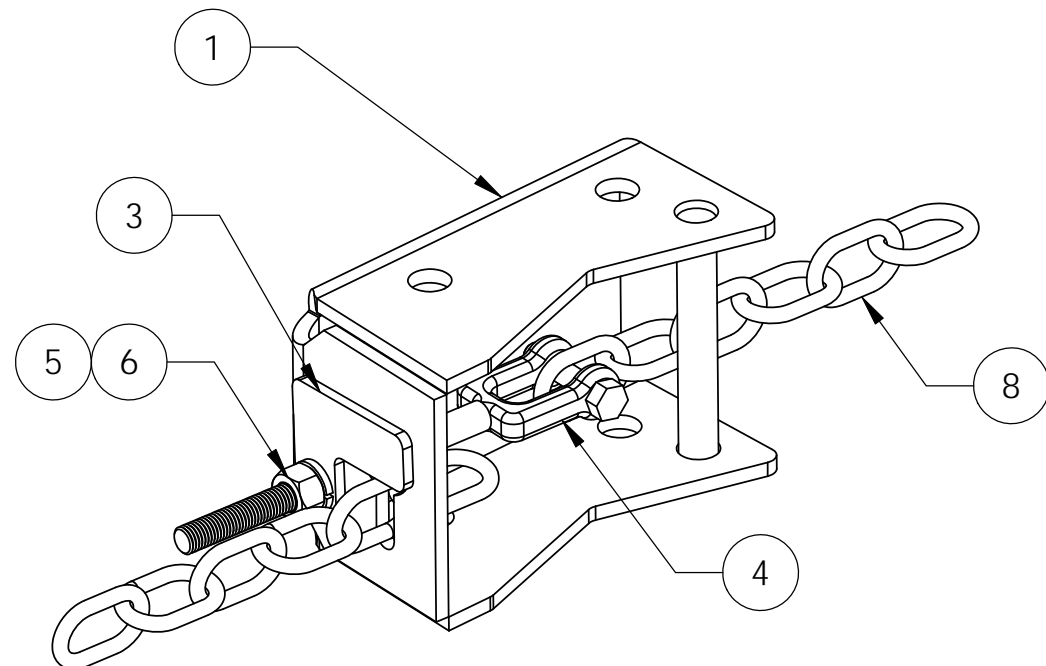



| ITEM | PART NO. | DESCRIPTION | QTY. | WEIGHT |
|------|----------|--------------------------------|------|----------|
| 1 | CM01 | Chain Mount Anchor | 2 | 6.17 LBS |
| 2 | CM.02 | CHAINMOUNT SLIDER | 4 | 5.34 LBS |
| 3 | CM.03 | CHAIN LOCK | 2 | 0.20 LBS |
| 4 | CM.04 | 1/2" X 6" Under Jaw Turnbuckle | 2 | 0.68 LBS |
| 5 | GWL-04 | 1/2" GALV LOCK WASHER | 2 | 0.01 LBS |
| 6 | GN-04 | 1/2" GALV HEX NUT | 2 | 0.02 LBS |
| 7 | GUB-4240 | 1/2" X 2-1/2" X 4" GALV U-BOLT | 6 | 0.72 LBS |
| 8 | G-4-XXX | CHAIN (SEE TABLE) | 2 | |
| 9 | MT-XXX | Ø 2-3/8" O.D. PIPE (SEE TABLE) | - | |

| REVISIONS | | | | |
|-----------|------|-----------------|-----|----------|
| REV. | ZONE | DESCRIPTION | BY | DATE |
| A | | INITIAL RELEASE | AW | 12/15/04 |
| B | | ADDED NEW KITS | ACG | 10/26/06 |
| C | | UPDATE BOM | ACG | 03/12/09 |

| PART NO. | WEIGHT | PIPE MOUNT | QTY | CHAIN | CHAIN LENGTH |
|-----------|------------|------------|-----|----------|--------------|
| CM-30T-B | 50.76 LBS | NONE | 0 | G4-0-96 | 8ft |
| CM-30T-48 | 83.75 LBS | MT-650 | 3 | G4-0-96 | 8ft |
| CM-30T-72 | 113.76 LBS | MT-651 | 3 | G4-0-96 | 8ft |
| CM-30T-96 | 151.26 LBS | MT-651-96 | 3 | G4-0-96 | 8ft |
| CM-60T-B | 62.76 LBS | NONE | 0 | G4-0-192 | 16ft |
| CM-60T-48 | 93.75 LBS | MT-650 | 3 | G4-0-192 | 16ft |
| CM-60T-72 | 123.76 LBS | MT-651 | 3 | G4-0-192 | 16ft |
| CM-60T-96 | 163.26 LBS | MT-651-96 | 3 | G4-0-192 | 16ft |



NOTES:
 1. ATTACH THE PIPES OR PIPE MOUNTS TO THE BRACKETS PRIOR TO ADDING THE JAW-BOLT/CHAIN ASSEMBLY

| | | | |
|---|----------------------|-----------------------|---|
| These drawings and specifications are the proprietary property of ANDREW CORPORATION and may be used only for the specific purpose authorized in writing by Andrew Corporation. ALL DIMENSIONS ARE IN INCHES U.O.S. TOLERANCES UNLESS OTHERWISE SPECIFIED: .X = .12 ANGLES 2' .XX = .06 FRACTIONS 1/32 .XXX = .003 REMOVE BURRS AND BREAK EDGES .005 DO NOT SCALE THIS PRINT | DRAWN BY: AW | SHEET: 1 of 1 | PART NUMBER: CM-T SERIES |
| | CHECKED BY: TP | SCALE: NTS | DESCRIPTION: TRIPLE CHAIN MOUNT |
| | DATE: 12/15/04 | MATERIAL: A36, A53 | DRAWING TYPE: ASSEMBLY DRAWING |
| | REVISION: C | FINISH: GALV A123 |  ORLAND PARK, IL. 60462 U.S.A. |
| | WEIGHT: SEE TABLE | | |