

# RM-USBG

---

Universal Round Member Support Bracket for six coaxial cable runs

## Product Classification

**Product Type** Support bracket

## General Specifications

**Cable Runs, quantity** 6

**Hole, quantity** 6

**Mounting** Round member

## Dimensions

**Height** 50.8 mm | 2 in

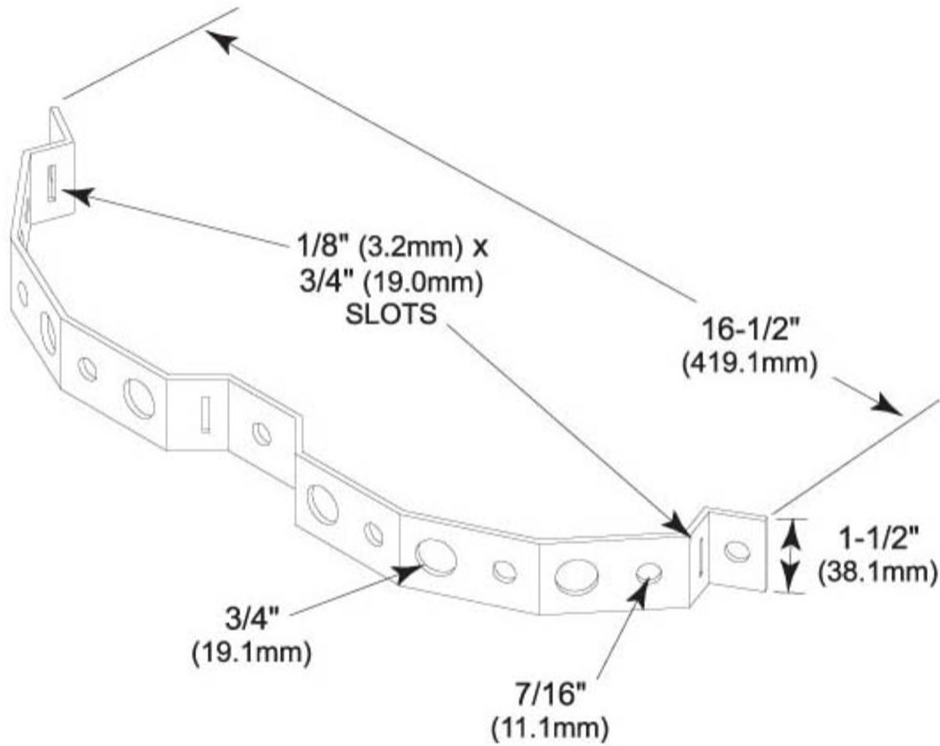
**Width** 431.8 mm | 17 in

**Length** 254 mm | 10 in

**Hole Size** 3/4 in | 7/16 in

# RM-USBG

## Outline Drawing



## Material Specifications

**Material Type** Hot dip galvanized steel

## Packaging and Weights

**Included** Brackets

**Packaging quantity** 10

**Weight, net** 4.1 kg | 9.039 lb

## Regulatory Compliance/Certifications

**Agency** **Classification**

# RM-USBG

---

ISO 9001:2015

Designed, manufactured and/or distributed under this quality management system

REACH-SVHC

Compliant as per SVHC revision on [www.commscope.com/ProductCompliance](http://www.commscope.com/ProductCompliance)

ROHS

Compliant

