

VC-WGSO-4

Water Tower Waveguide Stand-Off Bracket for coaxial cable, four runs

Product Classification

Product Type Bracket kit

General Specifications

Cable Runs, quantity 4

Hole, quantity 4

Mounting Water tower surface

Dimensions

Height 76.2 mm | 3 in

Width 381 mm | 15 in

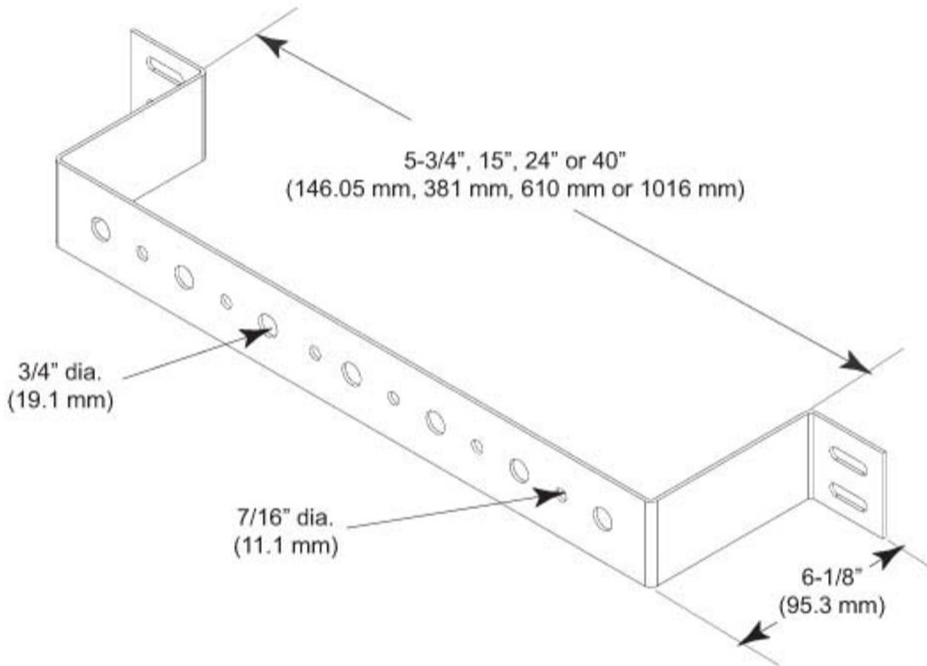
Length 165.1 mm | 6.5 in

Hole Size 3/4 in | 7/16 in

Stand-off Distance 152.4 mm | 6 in

VC-WGSO-4

Outline Drawing



Material Specifications

Material Type Hot dip galvanized steel

Packaging and Weights

Included Brackets

Packaging quantity 1

Weight, net 1.5 kg | 3.307 lb

Regulatory Compliance/Certifications

Agency **Classification**

VC-WGSO-4

CHINA-ROHS	Below maximum concentration value
ISO 9001:2015	Designed, manufactured and/or distributed under this quality management system
REACH-SVHC	Compliant as per SVHC revision on www.commscope.com/ProductCompliance
ROHS	Compliant

