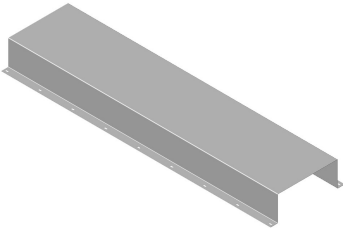


# WC-SC12D

---



Z-bracket, Wall Coaxial Cable Support Covers for SnapStak® Snap-in Hangers, four coaxial cable runs

## Product Classification

**Product Type** Cover

## General Specifications

**Cable Runs, quantity** 4

**Mounting** Walls

## Dimensions

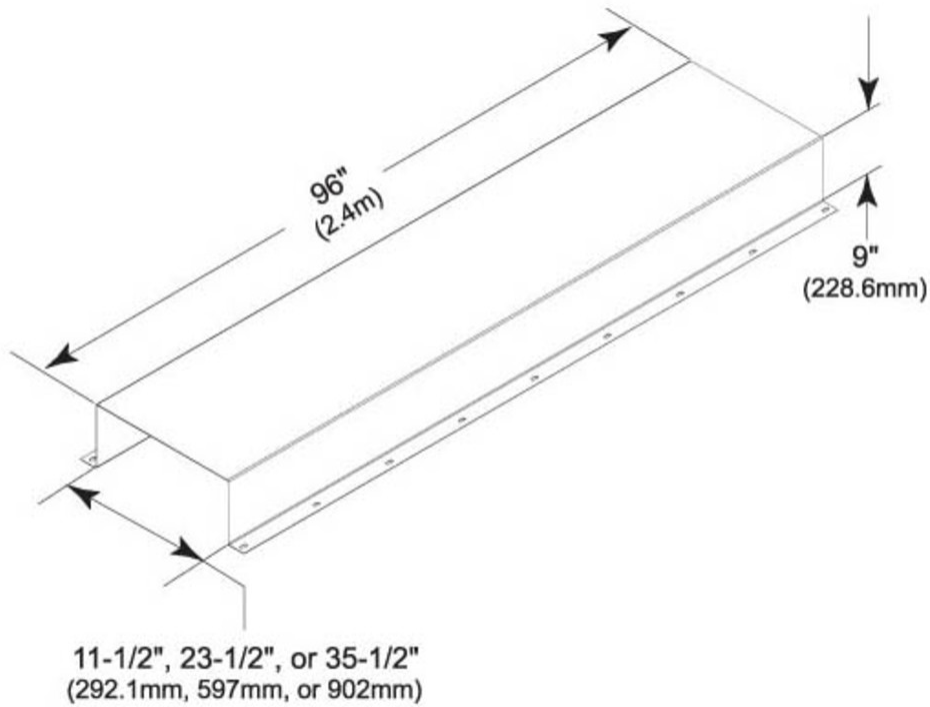
**Height** 228.6 mm | 9 in

**Width** 914.4 mm | 36 in

**Length** 2,438.4 mm | 96 in

# WC-SC12D

## Outline Drawing



## Material Specifications

**Material Type** Galvanized steel

## Mechanical Specifications

**Wind Rating** For Specifications, please contact [steelproducts@commscope.com](mailto:steelproducts@commscope.com) or call 800-255-1479

## Packaging and Weights

**Included** Cover  
**Packaging quantity** 1  
**Weight, net** 57 kg | 125.663 lb

## Regulatory Compliance/Certifications

Agency	Classification
CHINA-ROHS	Below maximum concentration value

# WC-SC12D

---

ISO 9001:2015

Designed, manufactured and/or distributed under this quality management system

REACH-SVHC

Compliant as per SVHC revision on [www.commscope.com/ProductCompliance](http://www.commscope.com/ProductCompliance)

ROHS

Compliant



## \* Footnotes

### **Wind Rating**

BWS—w Base Wind Speed; FBC—Florida Building Code