

MT-416



Non-Penetrating Roof Sled

Product Classification

Product Type Tripod mount component

General Specifications

Mounting Non-penetrating

Dimensions

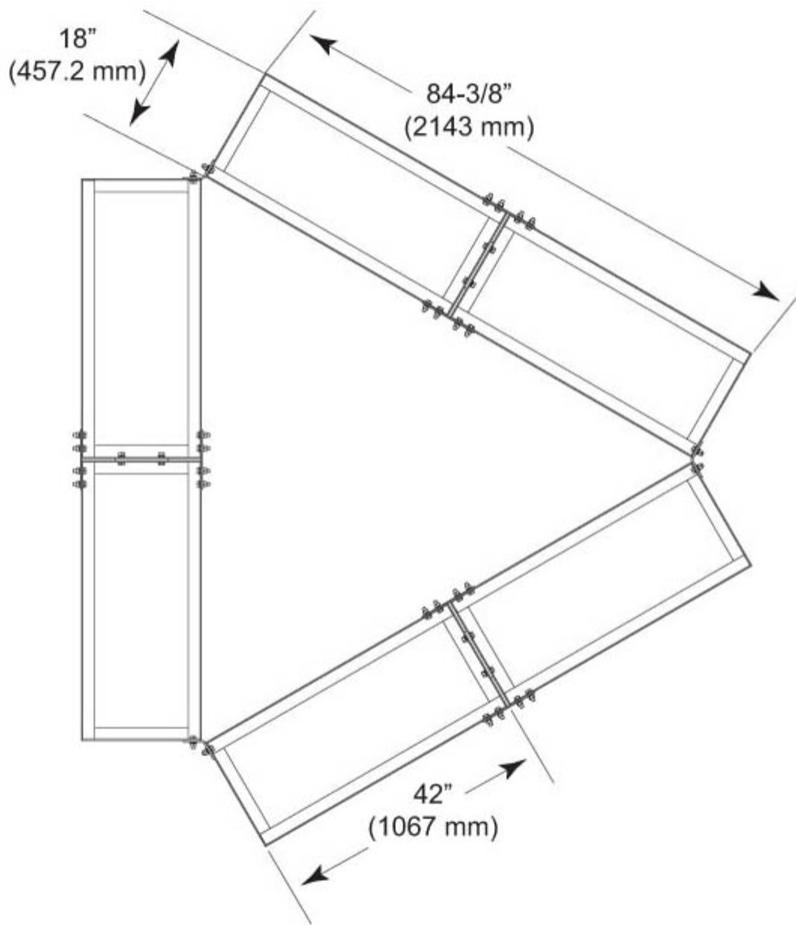
Height 76.2 mm | 3 in

Width 2,209.8 mm | 87 in

Length 2.225 m | 7.3 ft

MT-416

Outline Drawing



Material Specifications

Material Type Hot dip galvanized steel

Mechanical Specifications

Wind Rating For Specifications, please contact steelproducts@commscope.com or call 800-255-1479

Packaging and Weights

Included Sled

Packaging quantity 1

Weight, net 77.9 kg | 171.74 lb

MT-416

Regulatory Compliance/Certifications

Agency	Classification
ISO 9001:2015	Designed, manufactured and/or distributed under this quality management system



* Footnotes

Wind Rating	BWS—Base Wind Speed; FBC—Florida Building Code
--------------------	--