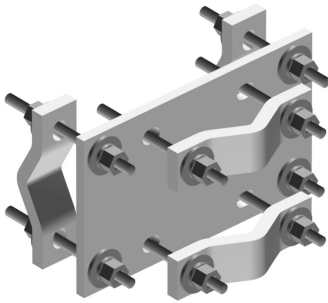


CO-400



Crossover Plate, joins 2 in to 5 in OD to 4 in to 9 in OD round member

Product Classification

Product Type Clamp plate

General Specifications

Mounting Crossover plate

Tower Taper Non-tapered

Dimensions

Height 304.8 mm | 12 in

Width 304.8 mm | 12 in

Length 203.2 mm | 8 in

Mounting Diameter 2, maximum 228.6 mm | 9 in

Mounting Diameter 2, minimum 101.6 mm | 4 in

Mounting Diameter, maximum 127 mm | 5 in

Mounting Diameter, minimum 50.8 mm | 2 in

Material Specifications

Material Type Hot dip galvanized steel

Packaging and Weights

Included Clamps | Plates

Packaging quantity 1

Weight, net 13.6 kg | 29.983 lb

Regulatory Compliance/Certifications

Agency	Classification
--------	----------------

CO-400

ISO 9001:2015

Designed, manufactured and/or distributed under this quality management system

