

EQ-ST5

Single Platform Step for EQ-P Series Platforms

Product Classification

Product Type Equipment platform system

General Specifications

Mounting EQ series platform bases

Dimensions

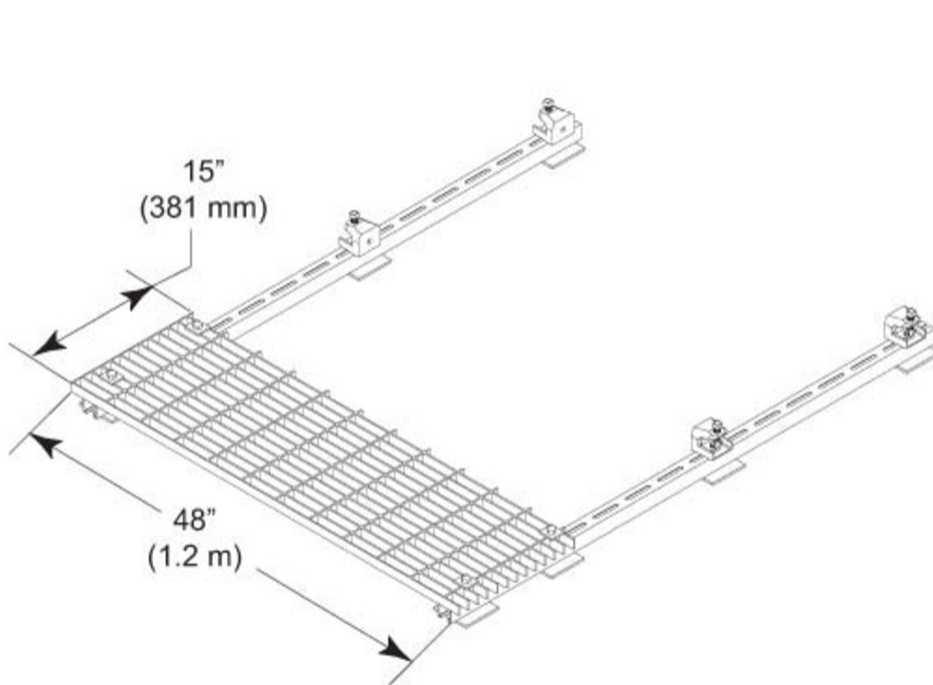
Height 203.2 mm | 8 in

Width 381 mm | 15 in

Length 1,219.2 mm | 48 in

EQ-ST5

Outline Drawing



Material Specifications

Material Type Hot dip galvanized steel

Packaging and Weights

Included Brackets | Grating | Hardware

Packaging quantity 1

Weight, net 35.4 kg | 78.044 lb

Regulatory Compliance/Certifications

Agency	Classification
--------	----------------

EQ-STS

ISO 9001:2015

Designed, manufactured and/or distributed under this quality management system

