

MT-250L

Cantilever Wall Mount Bracket. 5-1/2 in stand-off, pipe not included

Product Classification

Product Type Wall mount kit

General Specifications

Mounting Walls

Dimensions

Height 101.6 mm | 4 in

Width 368.3 mm | 14.5 in

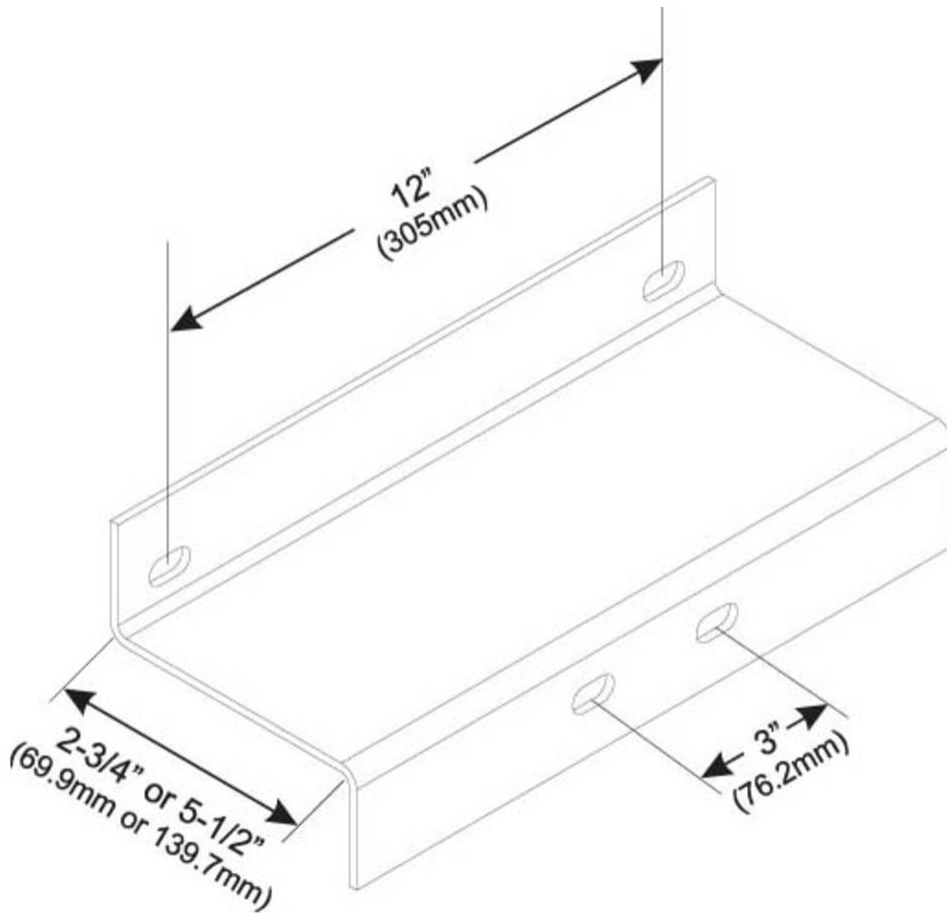
Length 152.4 mm | 6 in

Pipe Outer Diameter 60.96 mm | 2.4 in

Stand-off Distance 139.7 mm | 5.5 in

MT-250L

Outline Drawing



Material Specifications

Material Type Hot dip galvanized steel

Mechanical Specifications

Wind Rating For Specifications, please contact steelproducts@commscope.com or call 800-255-1479

Packaging and Weights

Included Anchors | Brackets (2) | U-bolts | Wall mount hardware

Packaging quantity 2

Weight, net 11.1 kg | 24.471 lb

MT-250L

Regulatory Compliance/Certifications

Agency	Classification
ISO 9001:2015	Designed, manufactured and/or distributed under this quality management system



* Footnotes

Wind Rating	BWS—w Base Wind Speed; FBC—Florida Building Code
--------------------	--