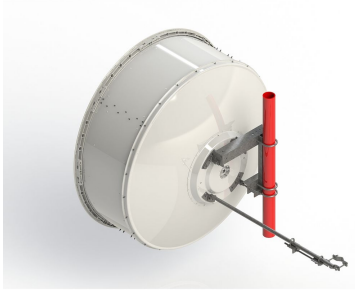


VHLP6-6W-6WH/B



1.8 m | 6 ft ValuLine® High Performance Low Profile Antenna, single-polarized, 5.925–7.125 GHz, CPR137G, white antenna, flexible woven polymer gray radome without flash, standard pack—one-piece reflector

Product Classification

Product Type	Microwave antenna
Product Brand	ValuLine®

General Specifications

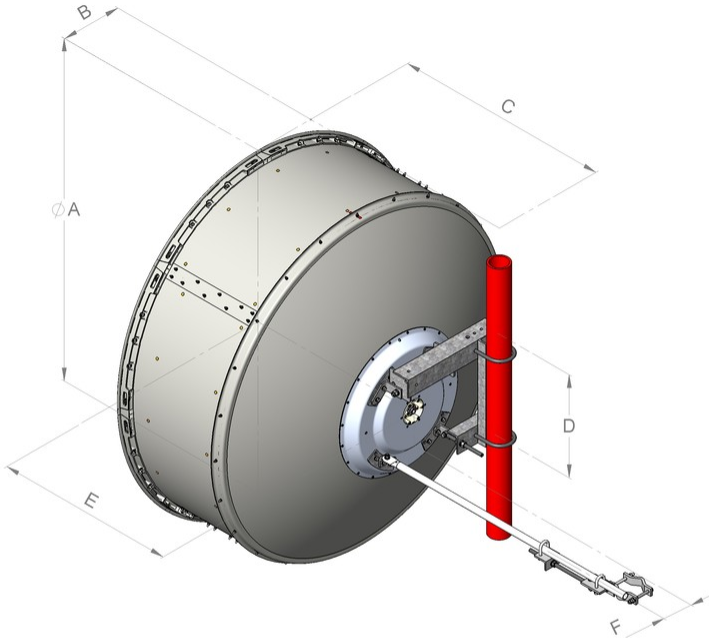
Antenna Type	VHLP - ValuLine® High Performance Low Profile Antenna, single-polarized
Polarization	Single
Antenna Input	CPR137G
Antenna Color	White
Reflector Construction	One-piece reflector
Radome Color	Gray
Radome Material	Polymer
Flash Included	No
Side Struts, Included	1
Side Struts, Optional	1 inboard

Dimensions

Diameter, nominal	1.8 m 6 ft
--------------------------	--------------

VHLP6-6W-6WH/B

Antenna Dimensions and Mounting Information



Dimensions in inches (mm)						
Antenna size, ft (m)	A	B	C	D	E	F
6 (1.8)	74.8 (1899)	13.4 (340)	47.5 (1206)	22.4 (570)	39.4 (1001)	6.9 (174)

Electrical Specifications

Operating Frequency Band	5.925 – 7.125 GHz
Gain, Low Band	38.5 dBi
Gain, Mid Band	39.3 dBi
Gain, Top Band	40.1 dBi
Boresite Cross Polarization Discrimination (XPD)	30 dB
Front-to-Back Ratio	66 dB
Beamwidth, Horizontal	1.8 °
Beamwidth, Vertical	1.8 °
Return Loss	17.7 dB

VHLP6-6W-6WH/B

VSWR	1.3
Radiation Pattern Envelope Reference (RPE)	7138B
Electrical Compliance	Brazil Anatel Class 3 Canada SRSP 305.9 Part B Canada SRSP 306.4 Part A ETSI 302 217 Class 3 US FCC Part 101A

Mechanical Specifications

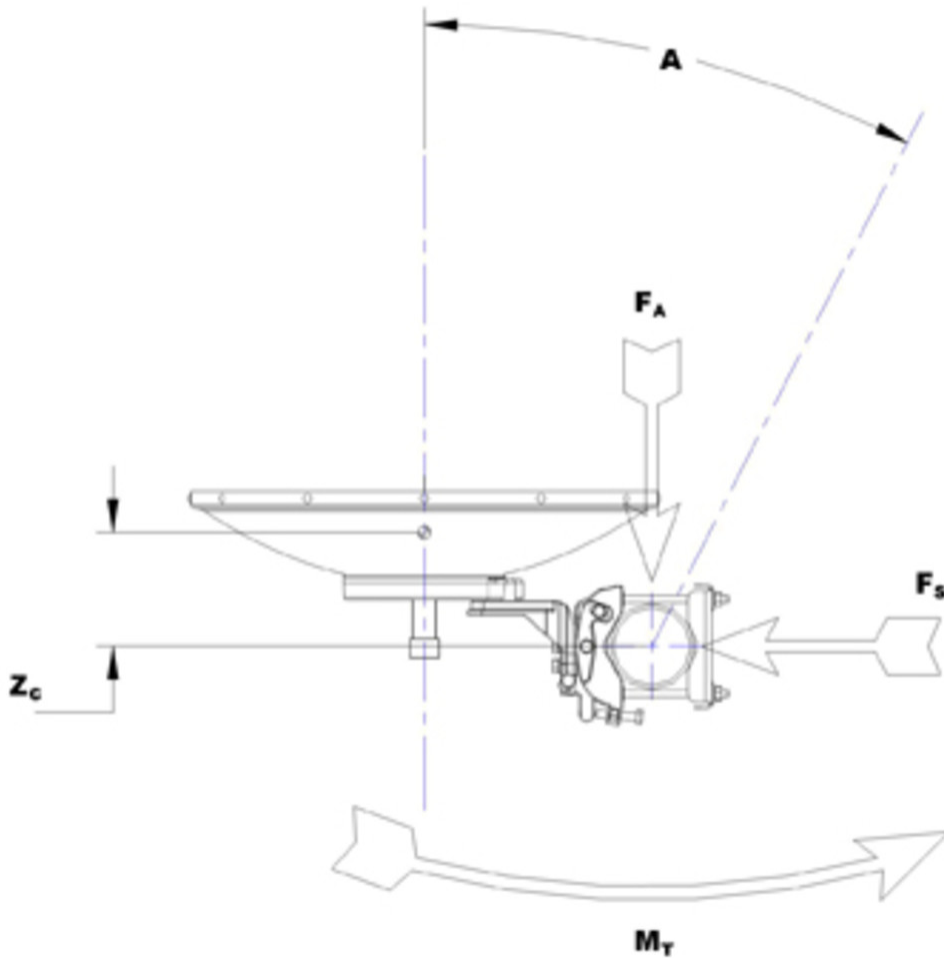
Compatible Mounting Pipe Diameter	115 mm–120 mm 4.5 in–4.7 in
Fine Azimuth Adjustment Range	±15°
Fine Elevation Adjustment Range	±5°
Wind Speed, operational	180 km/h 111.847 mph
Wind Speed, survival	250 km/h 155.343 mph

Wind Forces at Wind Velocity Survival Rating

Axial Force (FA)	10670 N 2,398.712 lbf
Angle α for MT Max	-120 °
Side Force (FS)	5286 N 1,188.34 lbf
Twisting Moment (MT)	4752 N-m 42,058.742 in lb
Zcg without Ice	363 mm 14.291 in
Zcg with 1/2 in (12 mm) Radial Ice	543 mm 21.378 in
Weight with 1/2 in (12 mm) Radial Ice	234 kg 515.881 lb

VHLP6-6W-6WH/B

Wind Forces at Wind Velocity Survival Rating Image



Packaging and Weights

Height, packed	2110 mm 83.071 in
Width, packed	450 mm 17.717 in
Length, packed	1900 mm 74.803 in
Packaging Type	Standard pack
Volume	1.8 m ³ 63.566 ft ³
Weight, gross	127 kg 279.987 lb
Weight, net	86 kg 189.597 lb

Regulatory Compliance/Certifications

VHLP6-6W-6WH/B

Agency

ISO 9001:2015

REACH-SVHC



Classification

Designed, manufactured and/or distributed under this quality management system

Compliant as per SVHC revision on www.commscope.com/ProductCompliance

* Footnotes

Axial Force (FA)

Maximum forces exerted on a supporting structure as a result of wind from the most critical direction for this parameter. The individual maximums specified may not occur simultaneously. All forces are referenced to the mounting pipe.

Boresite Cross Polarization Discrimination (XPD)

The difference between the peak of the co-polarized main beam and the maximum cross-polarized signal over an angle twice the 3 dB beamwidth of the co-polarized main beam.

Front-to-Back Ratio

Denotes highest radiation relative to the main beam, at $180^\circ \pm 40^\circ$, across the band. Production antennas do not exceed rated values by more than 2 dB unless stated otherwise.

Gain, Mid Band

For a given frequency band, gain is primarily a function of antenna size. The gain of Andrew antennas is determined by either gain by comparison or by computer integration of the measured antenna patterns.

Operating Frequency Band

Bands correspond with CCIR recommendations or common allocations used throughout the world. Other ranges can be accommodated on special order.

Packaging Type

Andrew standard packing is suitable for export. Antennas are shipped as standard in totally recyclable cardboard or wire-bound crates (dependent on product). For your convenience, Andrew offers heavy duty export packing options.

Radiation Pattern Envelope Reference (RPE)

Radiation patterns define an antenna's ability to discriminate against unwanted signals. Under still dry conditions, production antennas will not have any peak exceeding the current RPE by more than 3dB, maintaining an angular accuracy of $\pm 1^\circ$ throughout

Return Loss

The figure that indicates the proportion of radio waves incident upon the antenna that are rejected as a ratio of those that are accepted.

Side Force (FS)

Maximum side force exerted on the mounting pipe as a result of wind from the most critical direction for this parameter. The individual maximums specified may not occur simultaneously. All forces are referenced to the mounting pipe.

Twisting Moment (MT)

Maximum forces exerted on a supporting structure as a result of wind from the most critical direction for this parameter. The individual

VHLP6-6W-6WH/B

maximums specified may not occur simultaneously. All forces are referenced to the mounting pipe.

VSWR

Maximum; is the guaranteed Peak Voltage-Standing-Wave-Ratio within the operating band.

Wind Speed, operational

For VHLP(X), SHP(X), HX and USX antennas, the wind speed where the maximum antenna deflection is 0.3 x the 3 dB beam width of the antenna. For other antennas, it is defined as a deflection is equal to or less than 0.1 degrees.

Wind Speed, survival

The maximum wind speed the antenna, including mounts and radomes, where applicable, will withstand without permanent deformation. Realignment may be required. This wind speed is applicable to antenna with the specified amount of radial ice.