

# SA-B10

---

Stiff Arm / Tieback Bracket, includes 126" pipe



## Product Classification

**Product Type** Stiff arm mount

## General Specifications

**Mounting** Round and angle legs

**Pipe, quantity** 1

## Dimensions

**Height** 203.2 mm | 8 in

**Width** 203.2 mm | 8 in

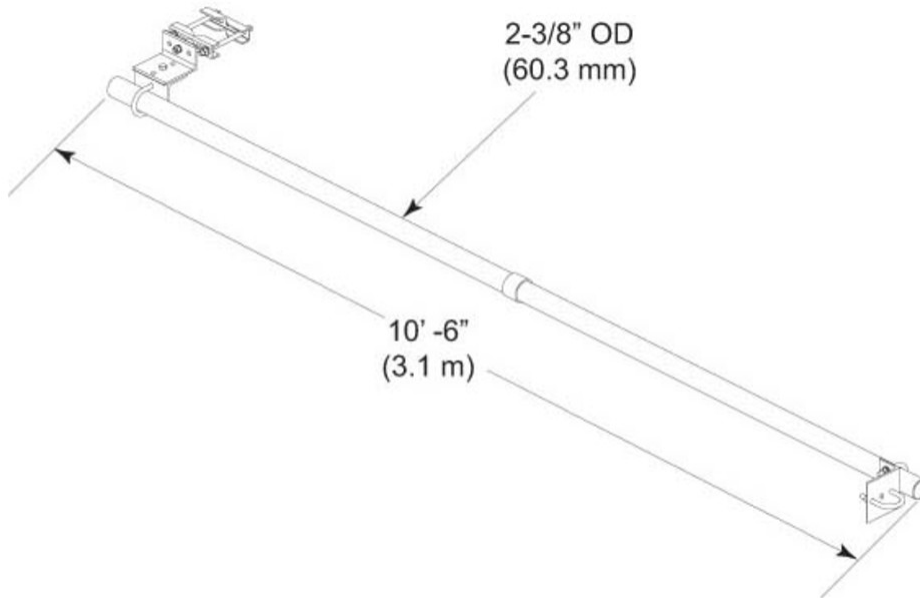
**Length** 3,200.4 mm | 126 in

**Pipe Length** 1,600.2 mm | 63 in

**Pipe Outer Diameter** 60.96 mm | 2.4 in

# SA-B10

## Outline Drawing



## Material Specifications

**Material Type** Hot dip galvanized steel

## Packaging and Weights

**Included** Attachment hardware | Pipe

**Packaging quantity** 1

**Weight, net** 24.086 kg | 53.1 lb

## Regulatory Compliance/Certifications

### Agency

ISO 9001:2015

### Classification

Designed, manufactured and/or distributed under this quality management system



## Included Products

SA-B – Stiff Arm Mount Bracket for 2-3/8 in OD

# SA-B10

---

pipe