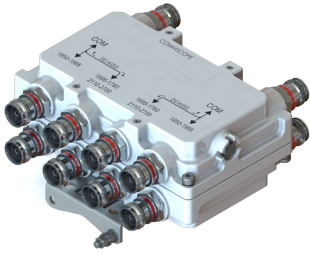


SDX1926Q-43 | E14F05P86



Ultra Compact Quad-pack Diplexer PCS/AWS+WCS+BRS, DC AWS /WCS/BRS, 4.3-10

- Quad configuration, 4x4 MIMO ready
- Ideal for small cell applications
- BTS-to-feeder and feeder-to-antenna application
- DC/AISG pass on 1695-1780/2110-2700 MHz
- New 4.3-10 connectors for improved PIM performance and size reduction
- Industry leading PIM performance

Product Classification

Product Type Diplexer

General Specifications

Color Gray

Common Port Label COMMON

Modularity 4-Quad

RF Connector Interface 4.3-10 Female

RF Connector Interface Body Style Long neck

Dimensions

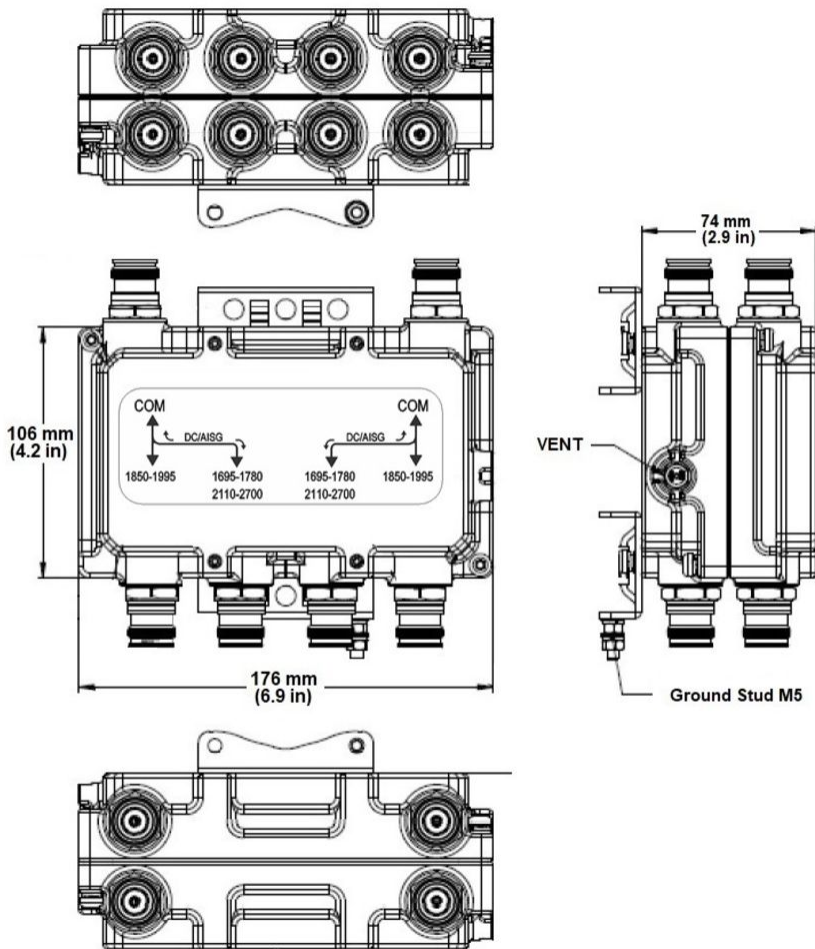
Height 106 mm | 4.173 in

Width 176 mm | 6.929 in

Depth 74 mm | 2.913 in

Outline Drawing

SDX1926Q-43 | E14F05P86



Electrical Specifications

Impedance	50 ohm
License Band, Band Pass	AWS 1700 PCS 1900 TDD 1900 TDD 2300 TDD 2600 WCS 2300

Electrical Specifications, dc Power/Alarm

dc/AISG Pass-through Method	Factory set
dc/AISG Pass-through Path	Branch 2
dc/AISG Pass-through, combiner	Branch 2
dc/AISG Pass-through, demultiplexer	Branch 2
Lightning Surge Current	5 kA
Lightning Surge Current Waveform	8/20 waveform
Voltage	7–30 Vdc

SDX1926Q-43 | E14F05P86

Electrical Specifications, AISG

AISG Carrier 2.176 MHz \pm 100 ppm

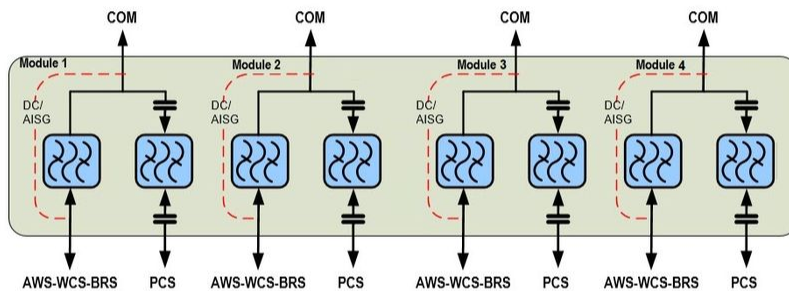
Electrical Specifications

Sub-module	1 2	1 2
Branch	1	2
Port Designation	PCS	AWS-WCS-BRS
License Band	PCS 1900, Band Pass	[2, 17]

Electrical Specifications, Band Pass

Frequency Range, MHz	1850-1995	1695-1780 2110-2700
Insertion Loss, typical, dB	0.2	0.15
Total Group Delay, maximum, ns	15	15
Return Loss, typical, dB	22	22
Isolation, typical, dB	42	42
Input Power, RMS, maximum, W	100	100
Input Power, PEP, maximum, W	1500	1500
3rd Order PIM, minimum, dBc	-161	-161
3rd Order PIM Test Method	2 x 20 W CW tones	2 x 20 W CW tones

Block Diagram



Mechanical Specifications

Wind Loading at Velocity, frontal	26.0 N @ 150 km/h
Wind Loading at Velocity, lateral	8.0 N @ 150 km/h

Environmental Specifications

Operating Temperature	-40 °C to +65 °C (-40 °F to +149 °F)
Relative Humidity	Up to 100%
Corrosion Test Method	IEC 60068-2-11, 30 days
Ingress Protection Test Method	IEC 60529:2001, IP67

Packaging and Weights

Mounting Hardware Weight	0.2 kg 0.441 lb
---------------------------------	-------------------

SDX1926Q-43 | E14F05P86

Volume 1.4 L
Weight, without mounting hardware 2.8 kg | 6.173 lb

Regulatory Compliance/Certifications

Agency	Classification
CHINA-ROHS	Below maximum concentration value
REACH-SVHC	Compliant as per SVHC revision on www.commscope.com/ProductCompliance
ROHS	Compliant

