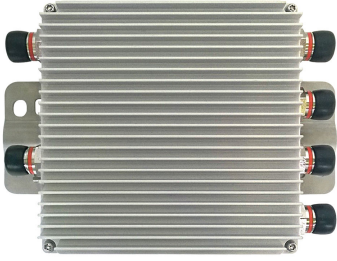


# CHB3359T-43 | D15T01P40

---



## Twin Hybrid Combiner 3300-5925MHz, 4.3-10 Connectors

- New combining solution for CBRS and LAA bands
- Ideal for combining carriers of any technology combination (LTE, UMTS, CDMA, GSM, etc.) independent of guard band restrictions
- Integrated low PIM load allows for simplified installation
- Self-contained housing ensures highest reliability in severe environments
- DC-AISG passing capability from Port 2 to Common Port
- New 4.3-10 connectors for improved PIM performance and size reduction

## Product Classification

**Product Type** Hybrid combiner

## General Specifications

**AISG Carrier** 2176 KHz  $\pm$  100 ppm

**Color** Gray

**Connector Interface** 4.3-10 Female

**Modularity** Twin

**Mounting** Pole | Wall

**Mounting Pipe Hardware** Band clamps

## Dimensions

**Height** 168 mm | 6.614 in

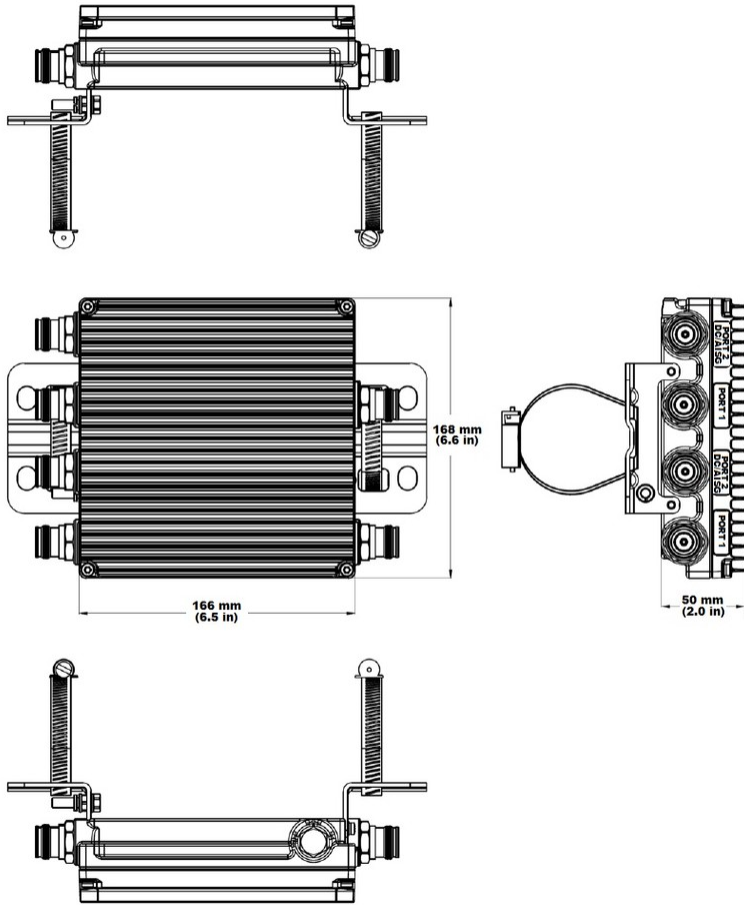
**Width** 166 mm | 6.535 in

**Depth** 50 mm | 1.969 in

**Ground Screw Diameter** 6 mm | 0.236 in

## Outline Drawing

# CHB3359T-43 | D15T01P40



## Electrical Specifications

<b>3rd Order IMD Test Method</b>	Two +43 dBm carriers
<b>3rd Order IMD, typical</b>	-161 dBc
<b>dc Pass-through</b>	Branch 2
<b>Lightning Surge Current</b>	10 kA
<b>Lightning Surge Current Waveform</b>	8/20 waveform

## Electrical Specifications, AISG

<b>dc Current, maximum</b>	2.5 A
----------------------------	-------

## Electrical Specifications, Branch 1

<b>Coupling</b>	3.2 dB
-----------------	--------

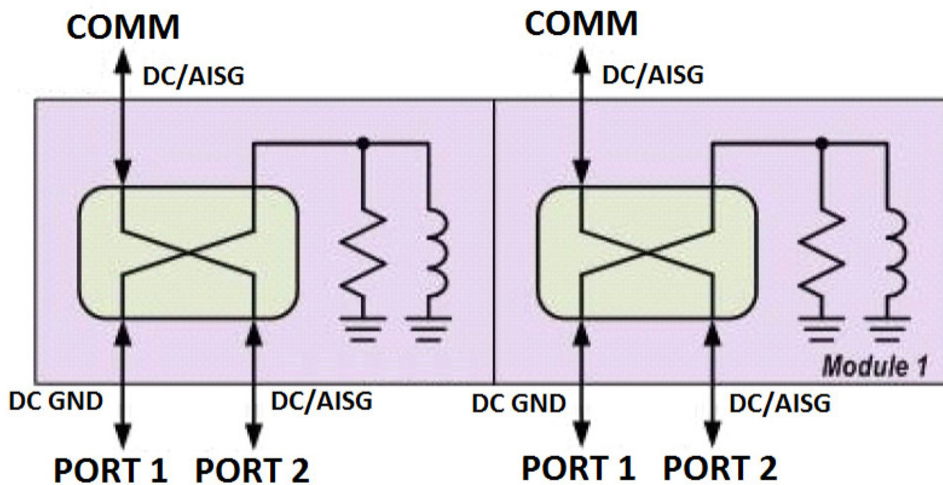
# CHB3359T-43 | D15T01P40

<b>Coupling Tolerance</b>	±0.5 dB
<b>Input Power, PEP</b>	400 W
<b>Input Power, RMS</b>	25 W
<b>Isolation, minimum</b>	25 dB
<b>Operating Frequency Band</b>	3300 – 5925 MHz
<b>Port Designation</b>	Port 1
<b>Return Loss, typical</b>	22 dB

## Electrical Specifications, Branch 2

<b>Coupling</b>	3.2 dB
<b>Coupling Tolerance</b>	±0.5 dB
<b>Input Power, PEP</b>	400 W
<b>Input Power, RMS</b>	25 W
<b>Isolation, minimum</b>	25 dB
<b>Operating Frequency Band</b>	3300 – 5925 MHz
<b>Port Designation</b>	Port 2
<b>Return Loss, typical</b>	22 dB

## Block Diagram



## Environmental Specifications

<b>Operating Temperature</b>	-40 °C to +65 °C (-40 °F to +149 °F)
------------------------------	--------------------------------------

# CHB3359T-43 | D15T01P40

---

**Ingress Protection Test Method** IEC 60529:2001, IP67

## Packaging and Weights

**Included** Mounting hardware

**Weight, net** 2.6 kg | 5.732 lb

## Regulatory Compliance/Certifications

### Agency

ISO 9001:2015

### Classification

Designed, manufactured and/or distributed under this quality management system

