

CBC1923-4310 | E14F55P05



Diplexer PCS/AWS+WCS, DC block, 4.3-10

- Full performance in a fraction of the size
- High power handling
- Includes AWS-3 and AWS-4 bands
- New 4.3-10 connectors for improved PIM performance and size reduction
- dc/AISG blocking on all ports (DC grounded)
- Ideal for small cell applications

Product Classification

Product Type Diplexer

General Specifications

Color Gray

Common Port Label COMMON

Modularity 1-Single

RF Connector Interface 4.3-10 Female

RF Connector Interface Body Style Long neck

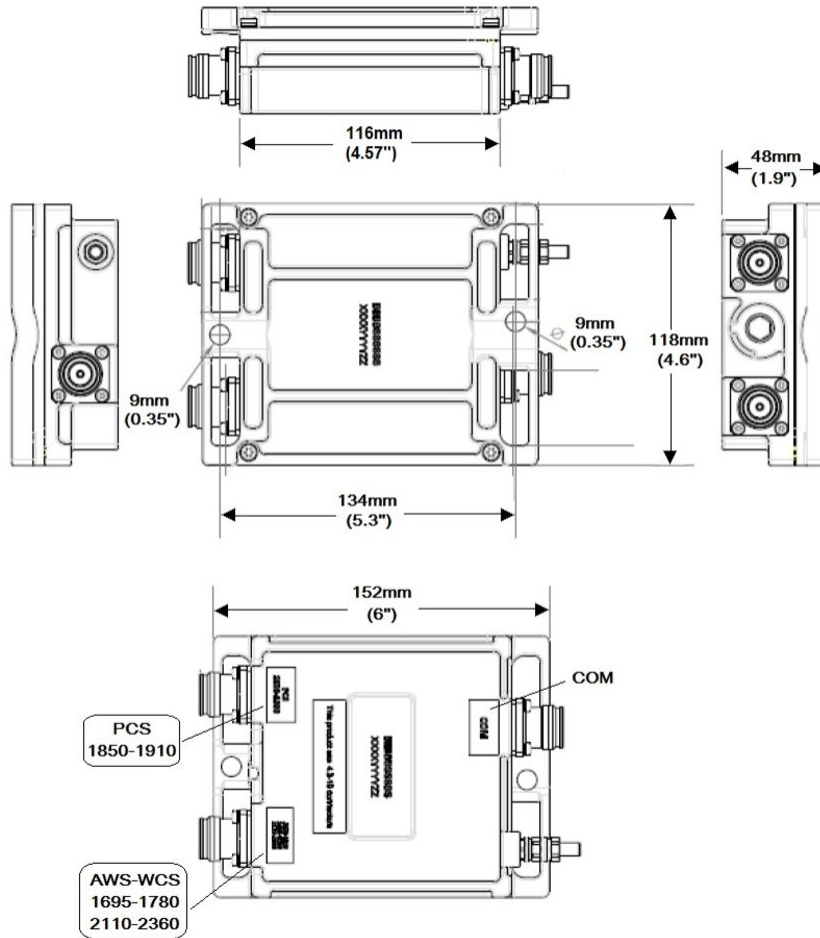
Dimensions

Height 118 mm | 4.646 in

Width 116 mm | 4.567 in

Depth 48 mm | 1.89 in

Outline Drawing



Electrical Specifications

License Band, Band Pass AWS 1700 | PCS 1900 | TDD 1900 | TDD 2300 | WCS 2300

Electrical Specifications, dc Power/Alarm

Lightning Surge Current 5 kA
Lightning Surge Current Waveform 8/20 waveform

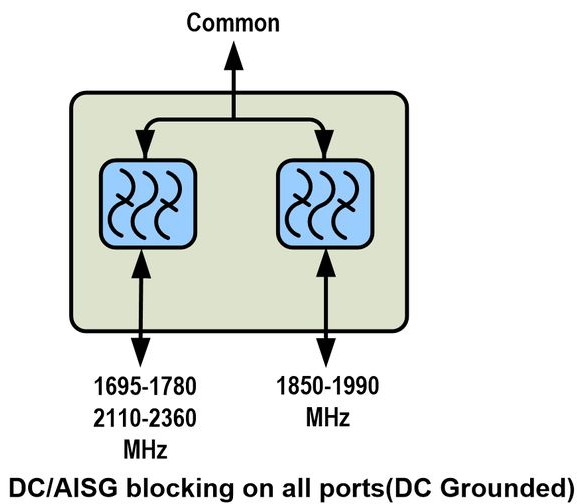
Electrical Specifications

Sub-module	1	1
Branch	1	2
Port Designation	Port 1695-1780/2110-2360	Port 1850-1990
License Band	[2, 17, 20]	[13, 18]

Electrical Specifications, Band Pass

Frequency Range, MHz	1695–1780 2110–2360	1850–1990
Insertion Loss, typical, dB	0.25	0.25
Total Group Delay, maximum, ns	12	15
Return Loss, typical, dB	23	23
Isolation, typical, dB	40	40
Input Power, RMS, maximum, W	100	100
Input Power, PEP, maximum, W	1500	1500
3rd Order PIM, typical, dBc	-161	-161
3rd Order PIM Test Method	[2, 4]	2 x 20 W CW tones

Block Diagram



Material Specifications

Finish Painted

Environmental Specifications

Operating Temperature -40 °C to +65 °C (-40 °F to +149 °F)

Relative Humidity Up to 100%

Corrosion Test Method IEC 60068-2-11, 30 days

Ingress Protection Test Method IEC 60529:2001, IP67

Packaging and Weights

Weight, net 1 kg | 2.205 lb