

SMALL-M-CAPKIT

Male End Cap for 4.3-10 series.

Product Classification

Brand

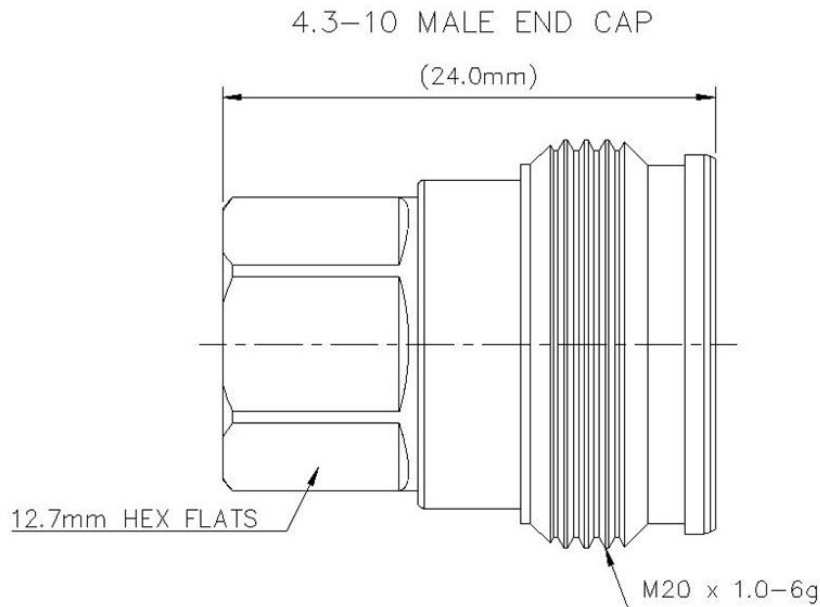
HELIAX®

Product Type

Wireless and radiating connector

SMALL-M-CAPKIT

Outline Drawing



Mechanical Specifications

Coupling Nut Proof Torque 8.00 N-m | 5.90 ft lb

Dimensions

Diameter 19.88 mm | 0.78 in

Length 24.00 mm | 0.94 in

Weight 26.70 g | 0.06 lb

Environmental Specifications

Operating Temperature -55 °C to +85 °C (-67 °F to +185 °F)

Storage Temperature -65 °C to +125 °C (-85 °F to +257 °F)

Immersion Depth 1 m

Immersion Test Mating Mated

Immersion Test Method IEC 60529:2001, IP68

Moisture Resistance Test Method IEC 60068-2-3

SMALL-M-CAPKIT

Mechanical Shock Test Method	IEC 60068-2-27
Thermal Shock Test Method	IEC 60068-2-14
Vibration Test Method	IEC 60068-2-6
Corrosion Test Method	IEC 60068-2-11

Standard Conditions

Attenuation, Ambient Temperature	20 °C 68 °F
Average Power, Ambient Temperature	40 °C 104 °F
Average Power, Inner Conductor Temperature	100 °C 212 °F

Regulatory Compliance/Certifications

Agency

RoHS 2011/65/EU

ISO 9001:2015

China RoHS SJ/T 11364-2014

Classification

Compliant by Exemption

Designed, manufactured and/or distributed under this quality management system

Above Maximum Concentration Value (MCV)



* Footnotes

Immersion Depth Immersion at specified depth for 24 hours