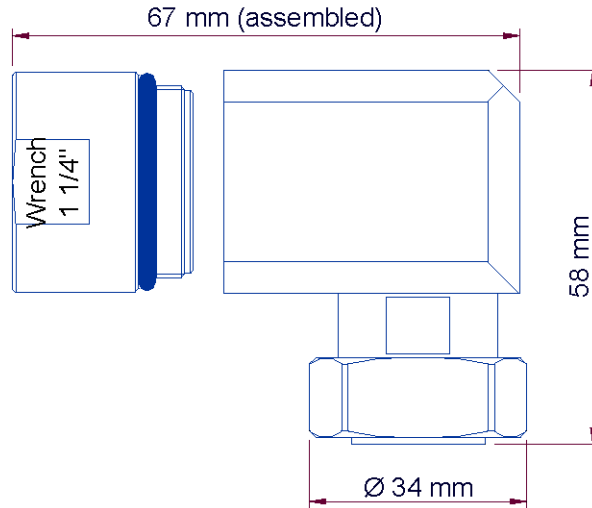


LTR	DESCRIPTION	DATE	BY
-	Released	3/04/96	JCL
A	Updated to Two-piece Design	5/16/06	JCL



**I. MATERIALS & FINISHES**

- center contact: Silver Plated Beryllium Copper
- outer contact: Silver Plated Brass
- coupling nut: Nickel Plated Brass
- body: Silver Plated Brass
- backnut: Nickel Plated Brass
- dielectric: Teflon® PTFE
- gaskets: Nitrile Rubber
- attachment: braid clamp

**II. ELECTRICAL PROPERTIES**

- impedance: 50 ohms
- working voltage: 2700 vrms (max; sea level)
- vswr: 1.25:1 (max) up to 3 GHz
- insertion loss: 0.15 x √Fghz

Unless otherwise specified, dimensions are in inches. Tolerances are applicable when specified.

These drawings and specifications contain proprietary information which is the property of Times Microwave Systems.

Approvals		
Drawn	JCL	3/04/96

**TIMES MICROWAVE SYSTEMS**  
 Wallingford, CT 06492  
 (203) 949-8400; (203) 949-8423.Fax  
 www.timesmicrowave.com

**EZ-900-716MC-RA**  
 Type-716 DIN male Right Angle – Non-Solder Pin  
 for LMR-900 Cable

Size A	CAGE CODE <b>68999</b>	Drawing No.: <b>3190-614</b>
Scale: NA	Rev. (A)	Sheet: 1 of 1