



TerraWave Solutions® 2.4 GHz 13 dBi DC Grounded Panel Antenna with N-Style Jack Connector

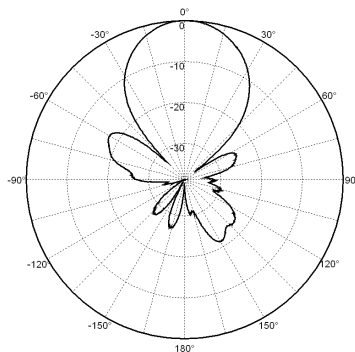
TerraWave's mid-gain 2.4 GHz 13 dBi directional antenna is perfect for a variety of wireless applications. This wide beamwidth antenna is single linear polarization and can be mounted in either a vertical or horizontal configuration. It consists of a low cost, high performance circuit design enclosed in a UV stabilized ABS plastic radome with aluminum backplane for superior durability. This antenna is also DC Grounded. Includes a pole mounting kit and TerraWave's Universal Articulating Pole Mount (TW-ART-MOUNTT).



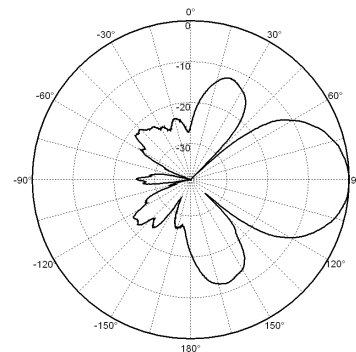
All TerraWave antennas are covered by the Company's two-year TerraNet warranty program. For questions and to purchase product, contact a wireless networking solutions sales engineer at 210-375-8482, 800-851-4965 or sales@terrawave.com. Visit www.terrawave.com for additional information.

Electrical Specifications	
Model	T24130P10006GTDC
Frequency Range	2.4 - 2.5 GHz
Gain	13 dBi
Vertical Beamwidth	33°
Horizontal Beamwidth	33°
Polarization	Single linear, horizontal or vertical
VSWR	≤ 1.5:1
Front-to-Back Ratio	> 25 dB
Cross Polarization	> 20 dB
Power Rating	30 Watts
Impedance	50 Ohms
Lightning Protection	DC Grounded

Mechanical and Environmental Specifications	
Dimensions (LxWxD)	7" x 7" x 1"
Weight	1.26 lbs.
Connector Type	Integrated N-Style Jack
Backplane	Aluminum
Radome	UV stabilized ABS plastic
Wind Survivability	125 mph
Wind Load	0.34 ft ²
Operating Temperature	-40°F to +158°F
Pole Mount Diameter Range	0.75" to 1.75"



E-Plane



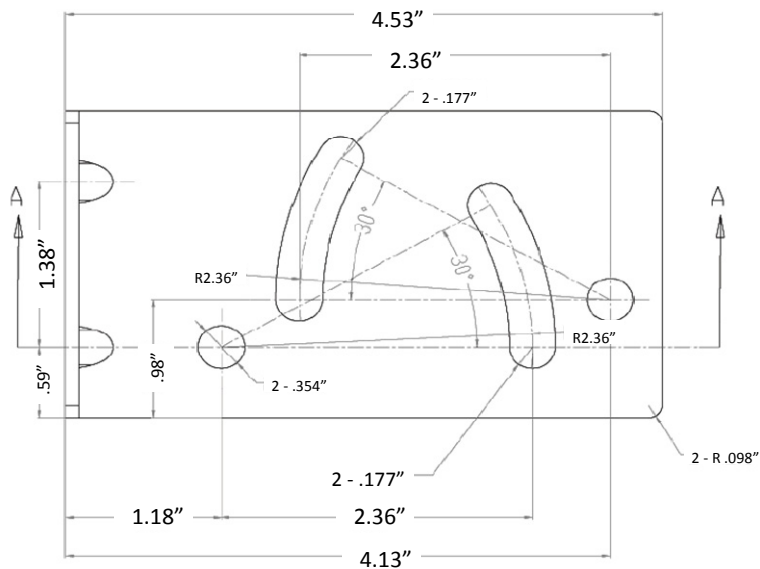
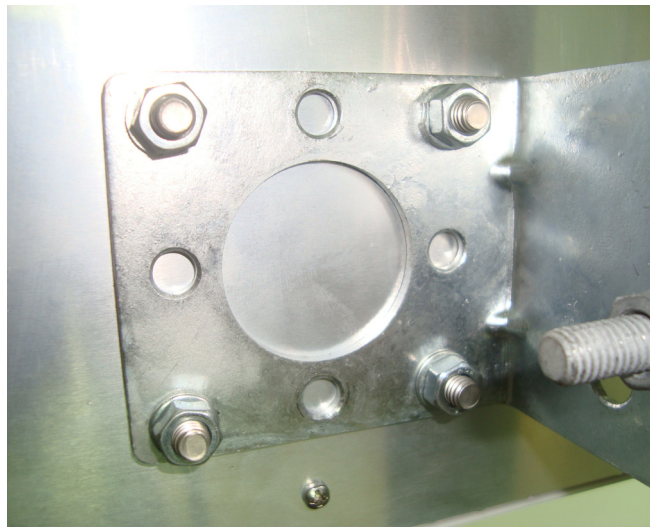
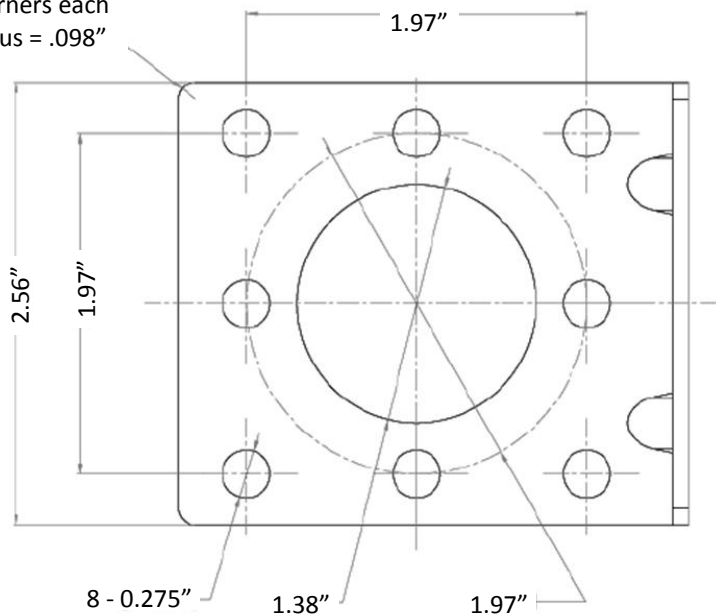
H-Plane



TerraWave Solutions® 2.4 GHz 13 dBi DC Grounded Panel Antenna with N-Style Jack Connector

Mounting Information for T24130P10006GTDC

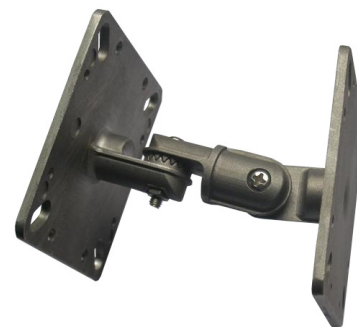
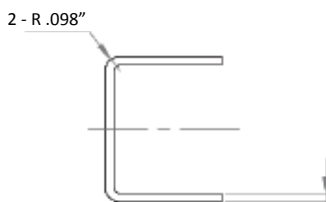
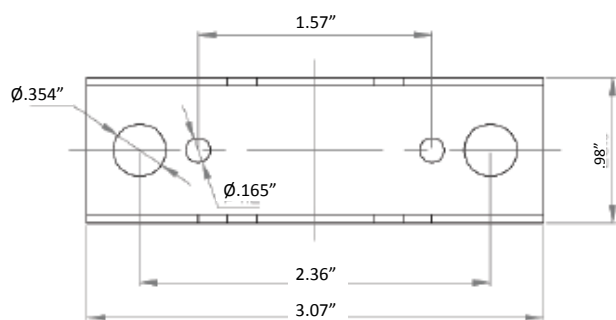
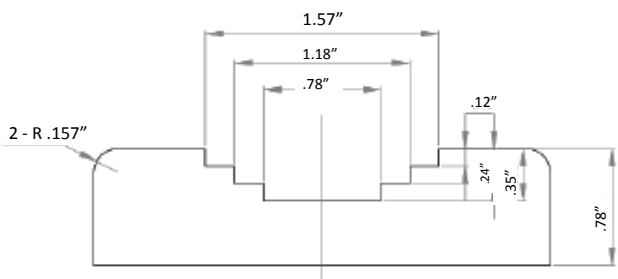
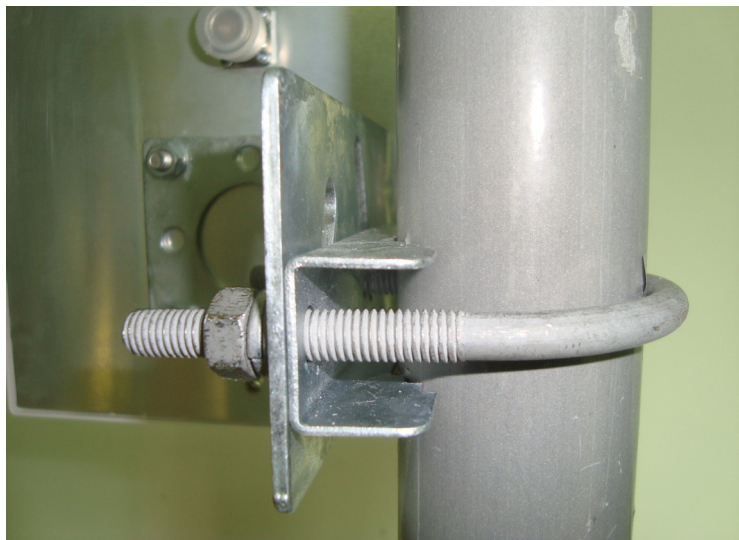
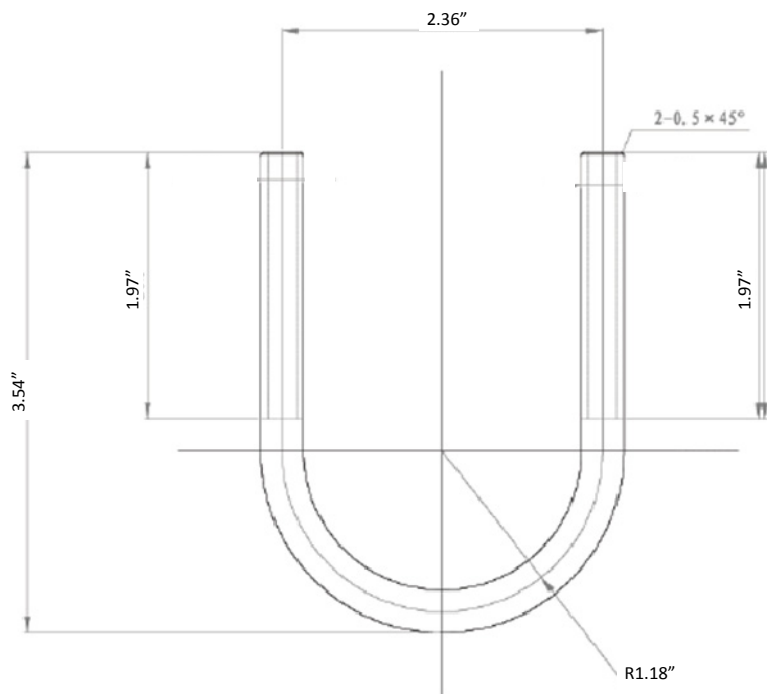
2 Corners each
Radius = .098"





TerraWave Solutions® 2.4 GHz 13 dBi DC Grounded Panel Antenna with N-Style Jack Connector

Mounting Information for T24130P10006GTDC



TerraWave's Universal Articulating Mount (TW-ART-MOUNTT) offers an easy installation solution to mount wall or mast mounted antennas and is constructed of aluminum. It accommodates almost all types of low profile antennas for both indoor and outdoor applications regardless of polarization.