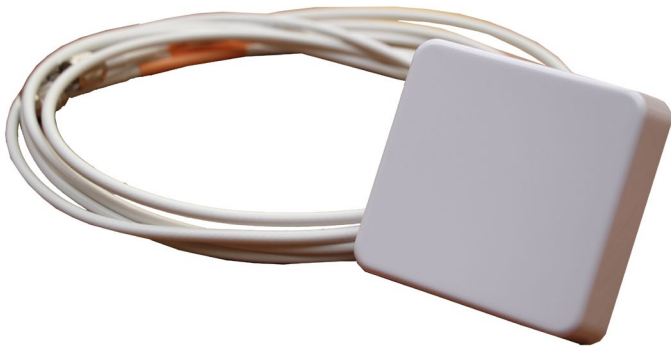


# 2.4/5GHz 6dBi Wi-Fi Femto Patch Antenna with 4 RPSMA or RPTNC Male Connectors and Articulating Mount



Ventev's small form factor Femto Patch Antenna with 4 RPSMA or RPTNC Male Connectors offers outstanding Wi-Fi performance in Ventev's smallest form factor antenna to date! Measuring just 3.4" x 3.4" the antenna is one-third of the size of comparable antennas on the market, making it ideal for applications where performance and aesthetics are equally important. The antenna includes a Medium Strength Articulating Mount that articulates horizontally and vertically for precise positioning. Both the antenna and the mount are designed for use indoors or outdoors.

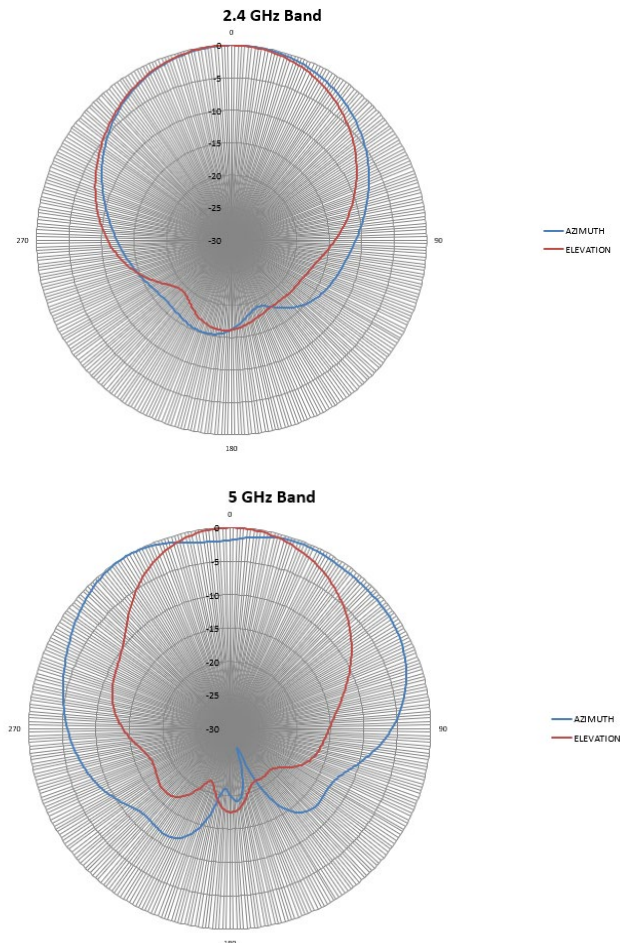
*Every Ventev antenna is RoHS compliant and is covered by Ventev's two-year TerraNet warranty program.*

**For more information or to purchase, contact Ventev:** 800.851.4965 or [sales@ventev.com](mailto:sales@ventev.com).

## ANTENNA SPECIFICATIONS

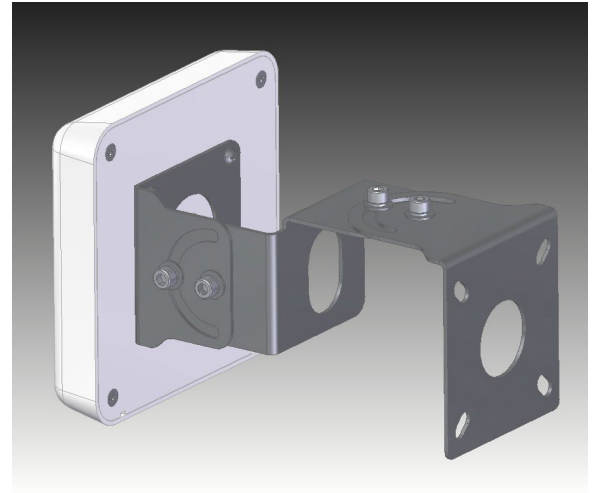
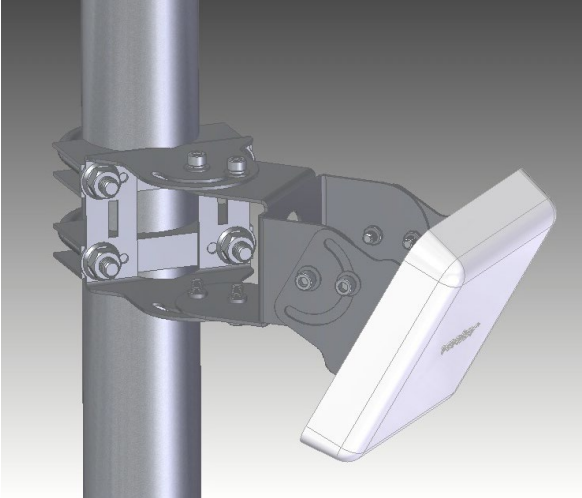
- RPSMA SKU: 209391
- RPTNC SKU: 290230
- RPSMA Model Number: M6060060D4D3620FP
- RPTNC Model Number: M6060060D4D3602FP
- Frequency Range: 2400-2500MHz | 4900 - 5900MHz
- Gain: 6dBi
- Bandwidth 100MHz 1000MHz
- Polarization: 2x Horizontal, 2x Vertical
- Front-to-Back Ratio: 10 dBi / 15 dBi
- Isolation:  $\geq 10$  /  $\geq 22$
- Impedance: 50 Ohms
- Horizontal Beamwidth: 80°/120°
- Vertical Beamwidth: 80°/50°
- VSWR:  $\leq 2.0$
- Maximum Input Power: 50W
- Connector: 4x RPSMA or RPTNC, Male
- Cable Length: 36"
- Dimensions: 3.4" x 3.4" x 1.4"
- Weight: 1 lb.
- Mounting Options: Ceiling / Mast / Wall Mount
- Application Environment: IP54
- Construction: UV-Resistant ABS
- Color White

## RADIATION PATTERNS



# 2.4/5GHz 6dBi Wi-Fi Femto Patch Antenna with 4 RPSMA or RPTNC Male Connectors and Articulating Mount

## Medium Strength Articulating Mount



### MOUNT SPECIFICATIONS

Model: TW-ART-MOUNT-MS

Dimensions: 6" (L) x 3" (W) x 3"(H)

Weight: 0.5 lbs

Material: Zinc-Plated Steel

Operating Temperature Range: -40°F x +158°F

Mounting Style: Pole or Wall Mount

Mast Diameter: 2.125 to 2.5

Maximum Load: 25 lbs. NOTE: Max load is a combination of antenna weight and wind strength

Wind Speed Range: < = 100