

MAXIMUM CHARACTERISTICS

APPLICATION:

For two way radio and SCADA applications.
Non-weatherized, Flange mount

SURGE:

50kA IEC 61000-4-5 8/20µs waveform 500J

TURN ON:

600Vdc ± 20%

TURN ON TIME:

2.5ns for 2kV/ns

FREQUENCY RANGE:

125MHz to 1000MHz

VSWR:

≤1.1 to 1 over frequency range

INSERTION LOSS:

≤0.1dB over frequency range

MAX POWER:

375W @ 125 to 220MHz

125W @ 220 to 700MHz

50W @ 700 to 1000MHz

THROUGHPUT ENERGY:

≤220µJ 3kA 8/20µs waveform

TEMPERATURE:

Storage: -55°C to +85°C

Operating: -50°C to +50°C

VIBRATION:

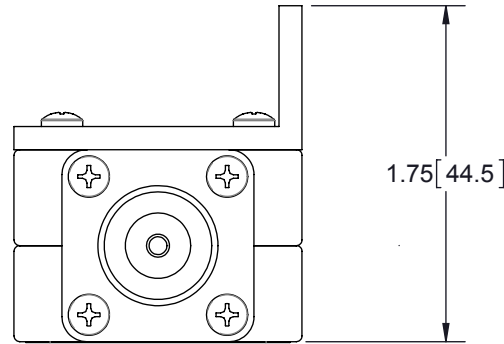
1G at 5Hz to 100Hz

CE COMPLIANT

RoHS COMPLIANT

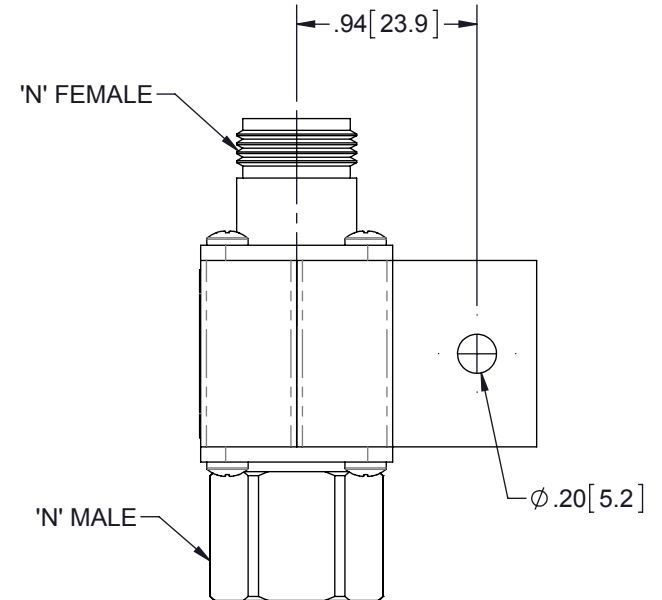
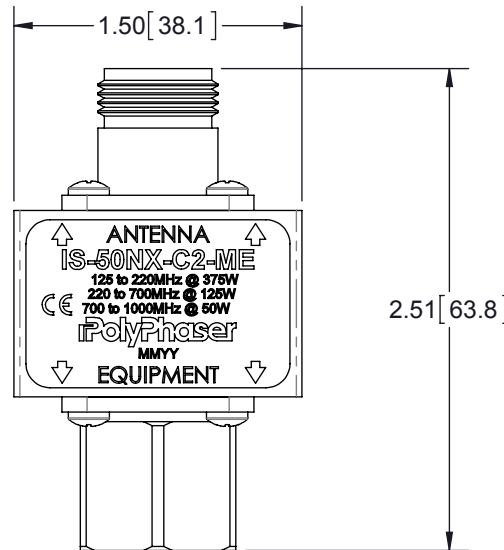
THESE COMMODITIES, TECHNOLOGY OR SOFTWARE WERE EXPORTED FROM THE UNITED STATES IN ACCORDANCE WITH THE EXPORT ADMINISTRATION REGULATIONS. DIVERSION CONTRARY TO U.S. LAW PROHIBITED.

REVISIONS				
REV.	DESCRIPTION	ECN	DATE	APPROVED
F	REFER TO ECN	11976	8/29/13	KCB



HARDWARE KIT INCLUDES:

QTY	DESCRIPTION
1	SCREW 10-32 X .50 SLOT F PAN 4-10 SS
1	SCREW 10-32x.50 SLOT MS PAN 18-8 SS
1	NUT 10-32 HEX 18-8 SS
2	WASHER 10 EXT TOOTH SS



CUSTOMER APPROVAL: _____ DATE: _____

ALL DIMENSIONS SHOWN ARE FOR REFERENCE ONLY.

<small>UNLESS OTHERWISE SPECIFIED LEADING DIMENSIONS ARE INCHES DIMENSIONS IN [] ARE MILLIMETERS</small> TOLERANCES: FRACTIONS=± 1/32 .XX=± .03 ANGLES=± 1° .XXX=± .010 NOTICE: THE INFORMATION AND DESIGN IN THIS DOCUMENT IS THE PROPERTY OF POLYPHASER CORPORATION. ALL RIGHTS RESERVED.	DRAWN DS 1/26/93		SHEET 1 OF 1
	ENG APPD JLJ 1/26/93		SCALE 1:1
PRODUCT MGR MARKETING APPD NJ 1/26/93	PROJECT NO.	TITLE BROADBAND 125-1000MHz R50 T.O. 600Vdc N MALE-EQ <small>CUSTOMER SPECIFICATION</small>	
THIRD-ANGLE PROJECTION 	DOCUMENT NAME IS-50NX-C2-ME-C	SIZE A CAGE 61114 PROD CAT RFP PART NUMBER IS-50NX-C2-ME	REV F