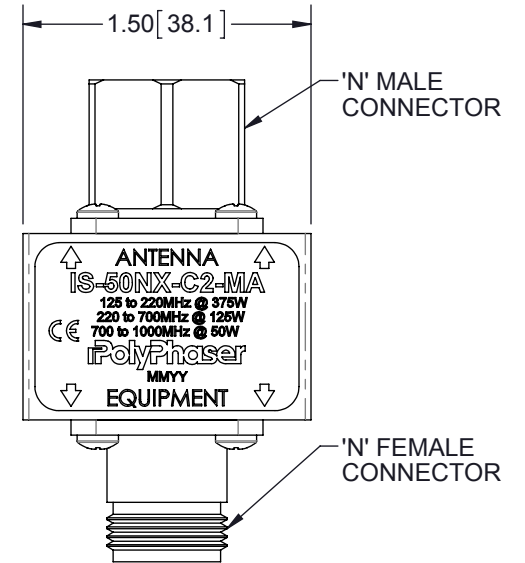
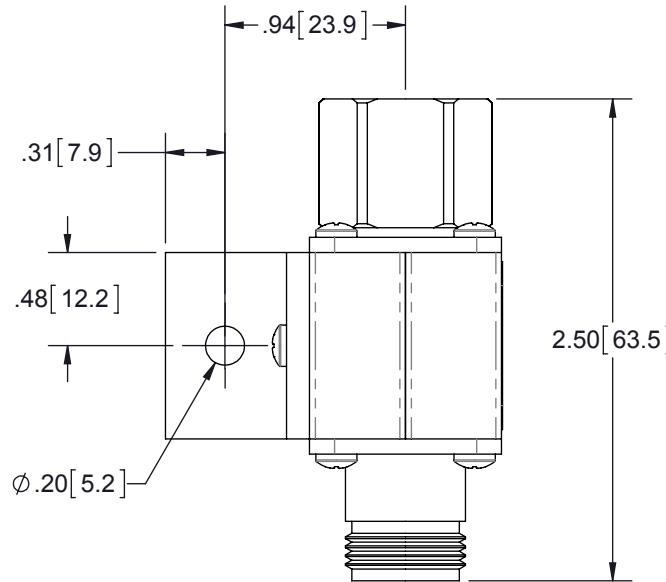
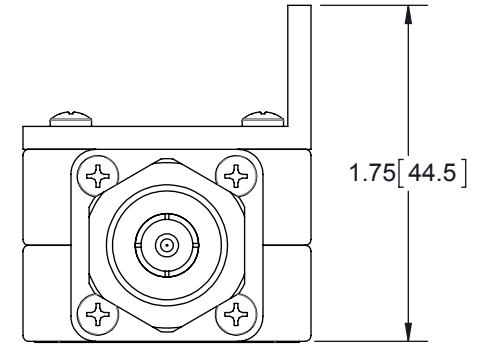
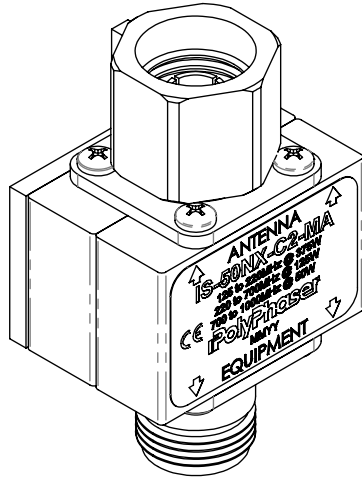


REVISIONS				
REV.	DESCRIPTION	ECN	DATE	APPROVED
H	REFER TO ECN	11902	8/9/13	JLJ



MAXIMUM CHARACTERISTICS

APPLICATION:

TWO WAY RADIO AND SCADA APPLICATIONS
NON-WEATHERIZED, FLANGE MOUNT

SURGE:

50kA IEC 61000-4-5 8/20µs WAVEFORM (TESTED)
20kA (RATED)

TURN-ON:

600Vdc ±20%

TURN-ON TIME:

2.5ns FOR 2kV/ns

FREQUENCY RANGE:

125MHz TO 1GHz

VSWR:

≤1.1:1 OVER FREQUENCY RANGE

INSERTION LOSS:

≤0.1dB OVER FREQUENCY RANGE

MAX POWER:

375W @ 125MHz TO 220MHz
125W @ 220MHz TO 700MHz
50W @ 700MHz TO 1000MHz

THROUGHPUT ENERGY:

≤220µJ FOR 3kA, 8/20µs WAVEFORM

TEMPERATURE:

STORAGE: -55°C TO +85°C
OPERATING: -50°C TO +50°C

VIBRATION:

1G UP TO 100Hz

CE COMPLIANT

RoHS COMPLIANT

CUSTOMER APPROVAL: _____ DATE: _____

ALL DIMENSIONS SHOWN ARE FOR REFERENCE ONLY.

THESE COMMODITIES, TECHNOLOGY OR SOFTWARE WERE EXPORTED FROM THE UNITED STATES IN ACCORDANCE WITH THE EXPORT ADMINISTRATION REGULATIONS. DIVERSION CONTRARY TO U.S. LAW PROHIBITED.

<small>UNLESS OTHERWISE SPECIFIED LEADING DIMENSIONS ARE INCHES DIMENSIONS IN [] ARE MILLIMETERS</small> TOLERANCES: FRACTIONS=± 1/32 .XX=± .03 ANGLES=± 1° .XXX=± .010 <small>NOTICE: THE INFORMATION AND DESIGN IN THIS DOCUMENT IS THE PROPERTY OF POLYPHASER CORPORATION. ALL RIGHTS RESERVED.</small>	<small>DRAWN</small> R. DUNNING <small>ENG APPD</small> J. JONES <small>PRODUCT MGR</small> R. MATHEUS <small>MARKETING APPD</small>	<small>DATE</small> 5/24/94 <small>5/24/94</small> <small>5/24/94</small>			<small>SHEET</small> 1 <small>OF</small> 1 <small>SCALE</small> 1:1
	<small>THIRD-ANGLE PROJECTION</small> 			<small>TITLE</small> BROADBAND 125-1000MHz R50 T.O. 600Vdc N MALE-ANT	
	<small>PROJECT NO.</small> _____ <small>DOCUMENT NAME</small> IS-50NX-C2-MA-C			<small>SIZE</small> A <small>CAGE</small> 61114 <small>PROD CAT</small> RFP <small>PART NUMBER</small> IS-50NX-C2-MA <small>REV</small> H	<small>CUSTOMER SPECIFICATION</small>